

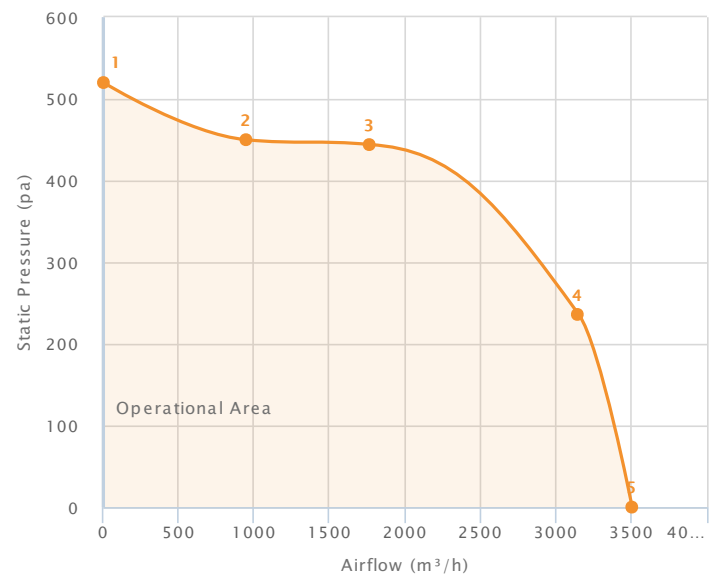
High Efficiency EC Direct Drive Fans (Standard) ECDDC 241-181 (9/7)

Technical Data

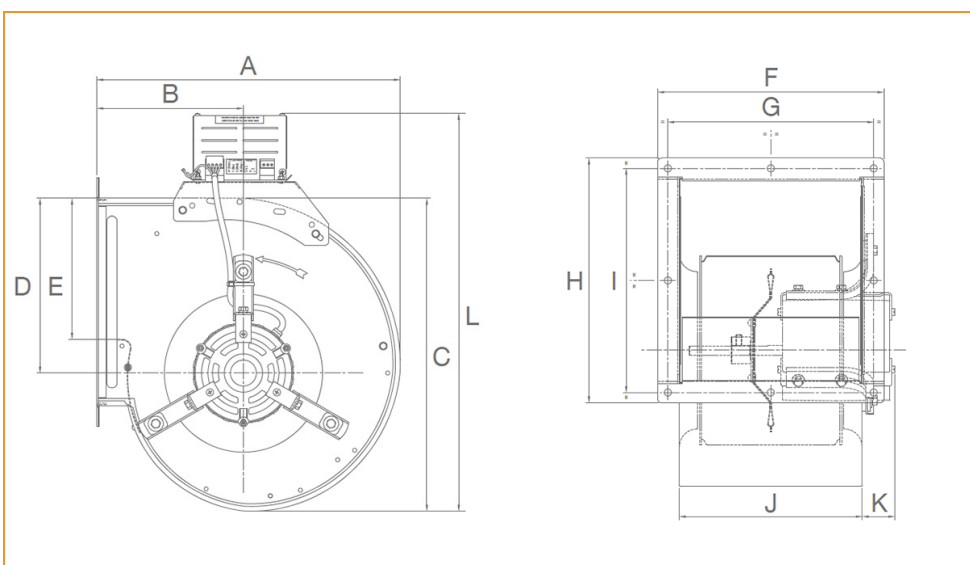
Supply (V/Ph/Hz)	230 / 1 / 50
Max Airflow (m³/h)	3504
Max Current (A)	4.78
Max Input Power (W)	1093
Max Speed (rpm)	1548
ErP Efficiency Rating (FMEG)	58
Ip Rating	20
Motor Insulation Class	F
Temperature Range (°C)	-20 to +40
Weight (KG)	14.5

Performance Data

Data Point	Static Pressure (pa)	Airflow (m³/h)	Current (A)	Speed (rpm)	Power (W)
1	520	0.00	0.88	1547	184
2	450	947	1.31	1547	289
3	444	1767	2.24	1546	507
4	236	3150	4.80	1527	1090
5	0.00	3504	4.78	1332	1087



■ Tested in accordance with ISO 5801
■ Installation type method - type A



Dimensions

A	381	G	262
B	184	H	311
C	392	I	285
D	219	J	233
E	177	K	37.4
F	288	L	498