

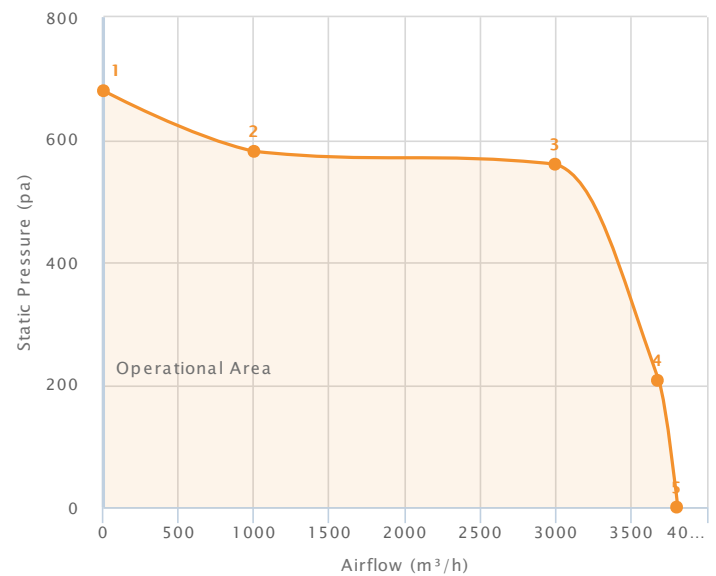
High Efficiency EC Direct Drive Fans (Standard) ECDDC 270-203 (10/8)

Technical Data

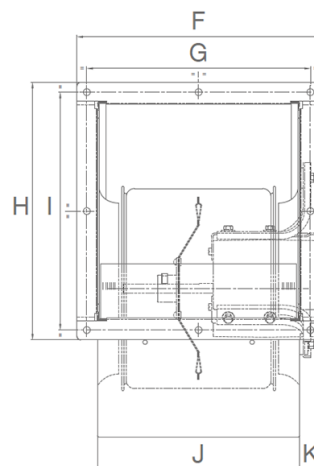
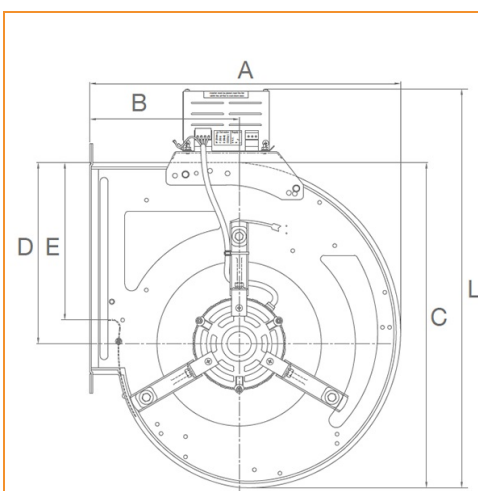
Supply (V/Ph/Hz)	230 / 1 / 50
Max Airflow (m³/h)	3806
Max Current (A)	4.87
Max Input Power (W)	1092
Max Speed (rpm)	1549
ErP Efficiency Rating (FMEG)	59
Ip Rating	20
Motor Insulation Class	F
Temperature Range (°C)	-20 to +40
Weight (KG)	16

Performance Data

Data Point	Static Pressure (pa)	Airflow (m³/h)	Current (A)	Speed (rpm)	Power (W)
1	680	0.00	1.41	1547	306
2	581	1000	1.85	1546	408
3	560	2997	4.82	1530	1092
4	207	3680	4.74	1198	805
5	0.00	3806	3.51	922	805



■ Tested in accordance with ISO 5801
■ Installation type method - type A



Dimensions

A	423	G	295
B	203	H	340
C	443	I	314
D	246.4	J	267
E	231	K	24.6
F	321	L	542