

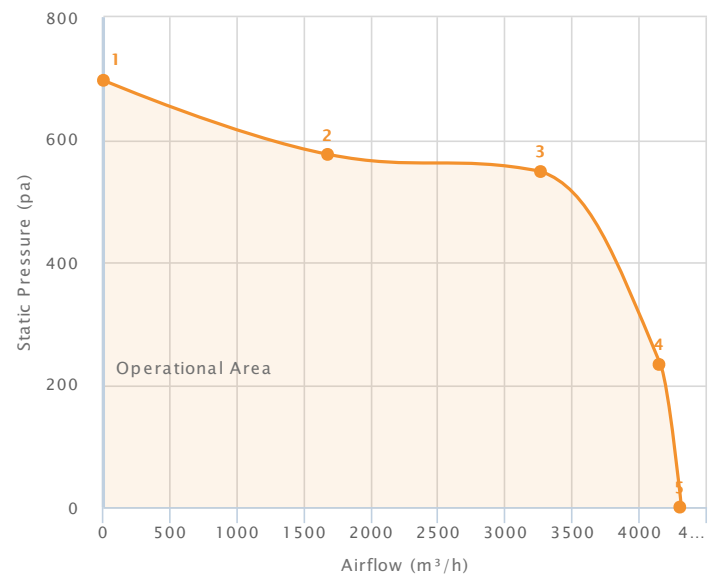
High Efficiency EC Direct Drive Fans (Standard) ECDDC 270-270 (10/10)

Technical Data

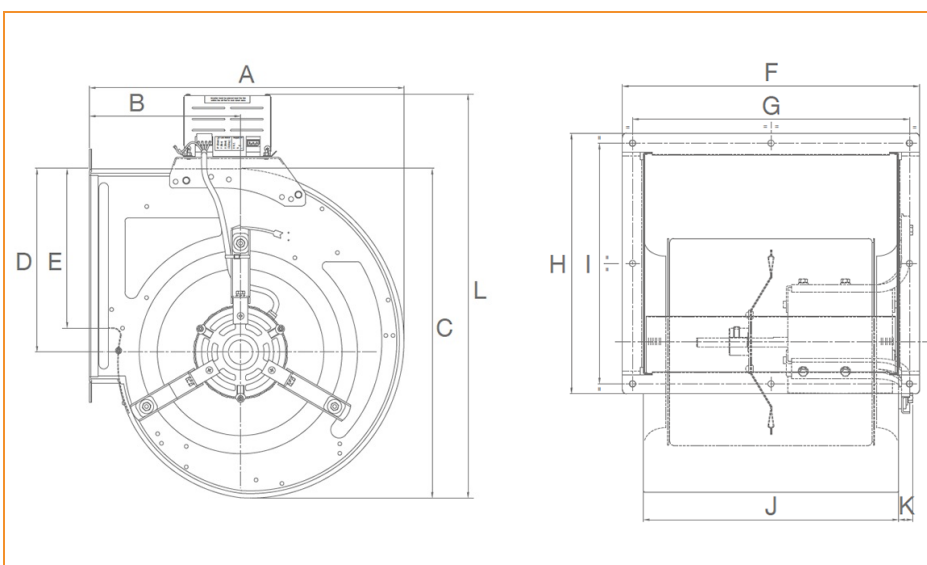
Supply (V/Ph/Hz)	230 / 1 / 50
Max Airflow (m³/h)	4309
Max Current (A)	4.83
Max Input Power (W)	1087
Max Speed (rpm)	1546
ErP Efficiency Rating (FMEG)	59
Ip Rating	20
Motor Insulation Class	F
Temperature Range (°C)	-20 to +40
Weight (KG)	18

Performance Data

Data Point	Static Pressure (pa)	Airflow (m³/h)	Current (A)	Speed (rpm)	Power (W)
1	697	0.00	1.63	1546	366
2	576	1679	2.60	1544	585
3	548	3265	4.81	1516	1087
4	233	4153	4.66	1182	1040
5	0.00	4309	3.38	871	750



■ Tested in accordance with ISO 5801
■ Installation type method - type A



Dimensions

A	423	G	361
B	203	H	340
C	443	I	314
D	246.4	J	333
E	213	K	14
F	387	L	542