



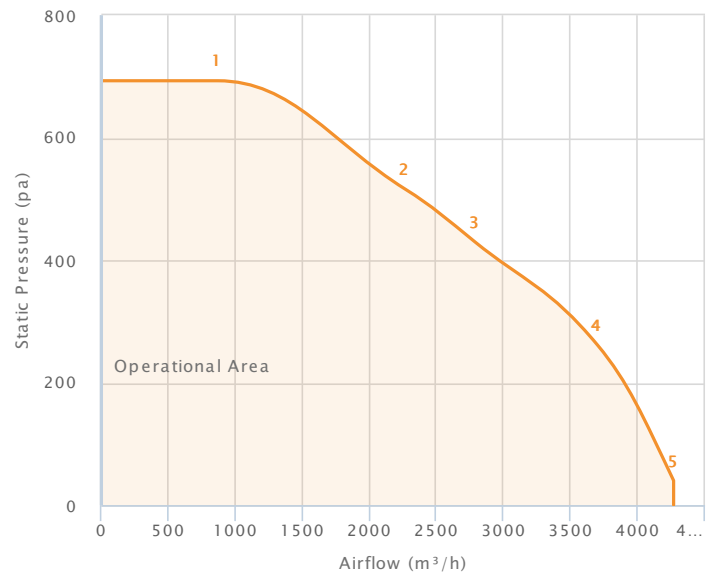
Frequency Controlled Direct Drive Fans FCDDC 270-270 (10/10)

Technical Data

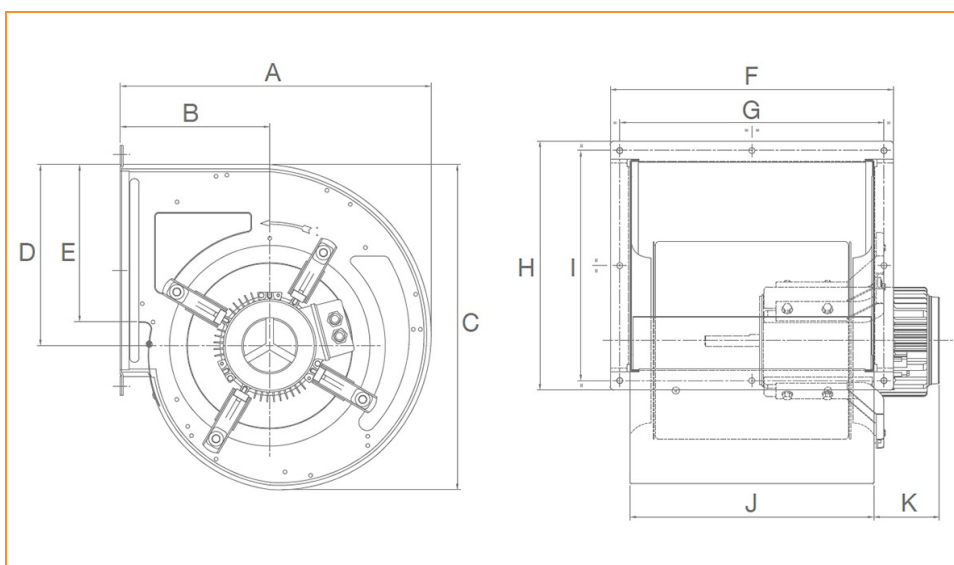
Supply (V/Ph/Hz)	230 / 1 / 50
Max Airflow (m³/h)	4266
Max Current (A)	8.3
Max Input Power (W)	1376
Max Speed (rpm)	1725
ErP Efficiency Rating (FMEG)	46
Ip Rating	44
Motor Insulation Class	F
Temperature Range (°C)	-20 to +40
Weight (KG)	20.5

Performance Data

Data Point	Static Pressure (pa)	Airflow (m³/h)	Current (A)	Speed (rpm)	Power (W)
1	693	867	3.7	1676	642
2	516	2265	6.6	1515	1089
3	430	2784	6.9	1400	1148
4	261	3700	8.3	1197	1258
5	40	4266	6.7	927	996



■ Tested in accordance with ISO 5801
■ Installation type method - type A



Dimensions

A	423	G	361
B	203	H	340
C	442	I	314
D	246	J	333
E	213	K	90
F	387	L	