

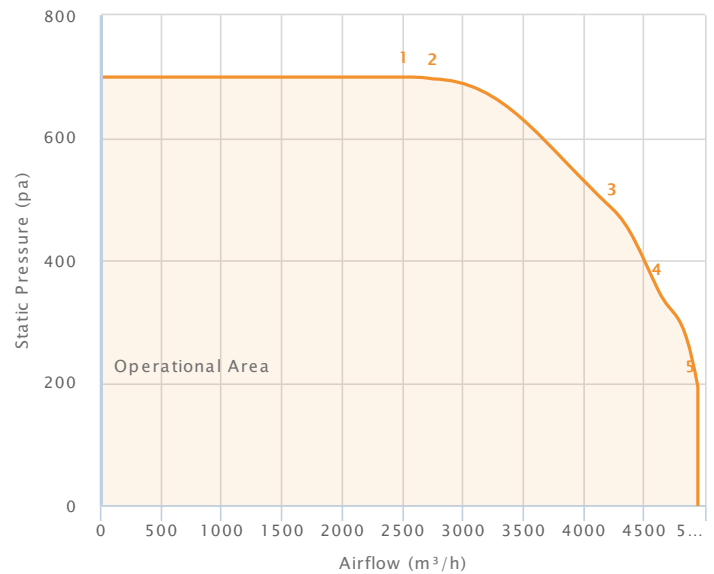
Frequency Controlled Direct Drive Fans FCDDC 321-321 (12/12)

Technical Data

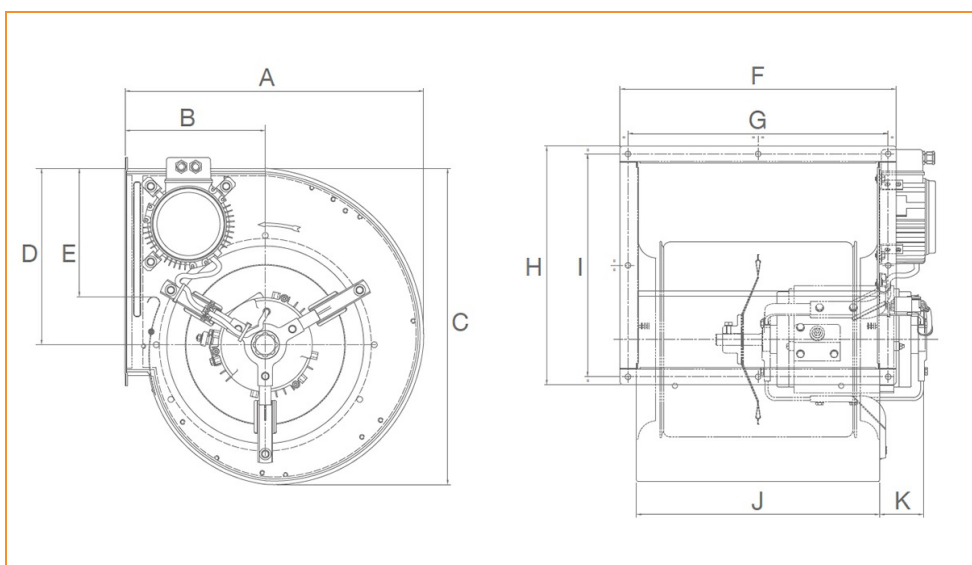
Supply (V/Ph/Hz)	230 / 1 / 50
Max Airflow (m³/h)	4941
Max Current (A)	9.7
Max Input Power (W)	1527
Max Speed (rpm)	1418
ErP Efficiency Rating (FMEG)	49
Ip Rating	31
Motor Insulation Class	F
Temperature Range (°C)	-20 to +40
Weight (KG)	35

Performance Data

Data Point	Static Pressure (pa)	Airflow (m³/h)	Current (A)	Speed (rpm)	Power (W)
1	699	2517	7.5	1418	1410
2	696	2747	8.7	1407	1489
3	484	4232	9.7	1184	1527
4	352	4610	8.6	1034	1316
5	193	4941	7.6	873	1114



■ Tested in accordance with ISO 5801
■ Installation type method - type A



Dimensions

A	495.5	G	425
B	233	H	390
C	542.2	I	364
D	292.5	J	397
E	213	K	71
F	451	L	