

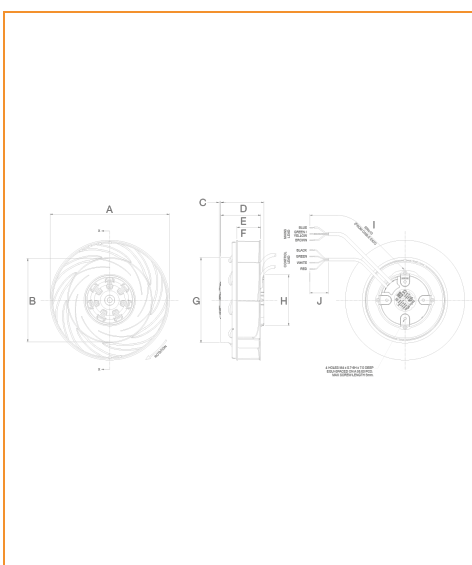
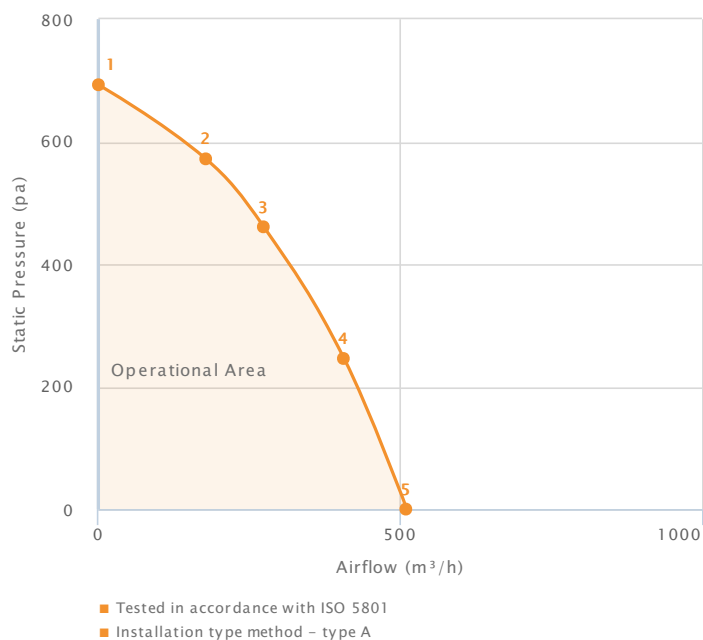
Revolution 360 - High Efficiency EC Backward Curved EC Backward Curved - 190mm

Technical Data

Supply (V/Ph/Hz)	//
Max Airflow (m ³ /h)	511
Max Current (A)	0.8
Max Input Power (W)	89
Max Speed (rpm)	3750
ErP Efficiency Rating (FMEG)	60
Ip Rating	54
Motor Insulation Class	B
Temperature Range (°C)	-20 to +60
Weight (KG)	0.95

Performance Data

Data Point	Static Pressure (pa)	Airflow (m ³ /h)	Current (A)	Speed (rpm)	Power (W)
1	693	0	0.53	3754	54
2	572	178	0.76	3754	84
3	461	274	0.79	3754	89
4	246	407	0.70	3755	75
5	0	511	0.49	3753	48



Dimensions

A	190	G	135.1
B	132.5	H	80
C	2.8	I	600
D	68.5	J	30
E	63.5	K	
F	38	L	