



Single EC Fandecks

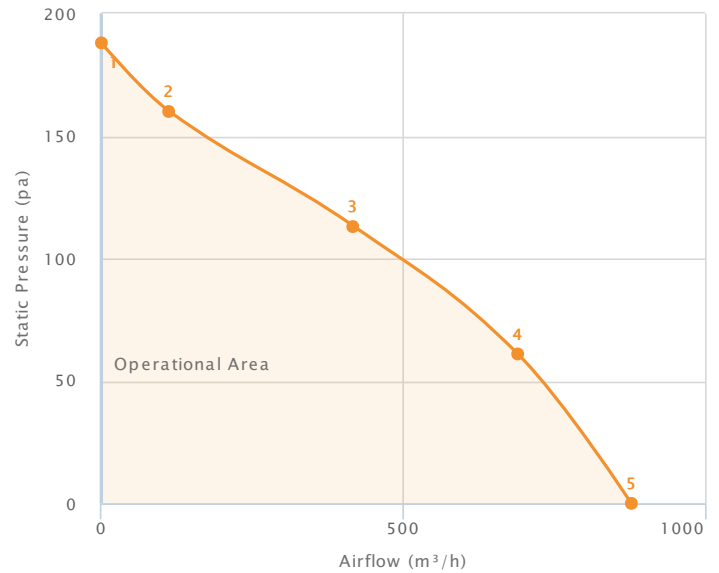
Single EC Fandeck 146-236

Technical Data

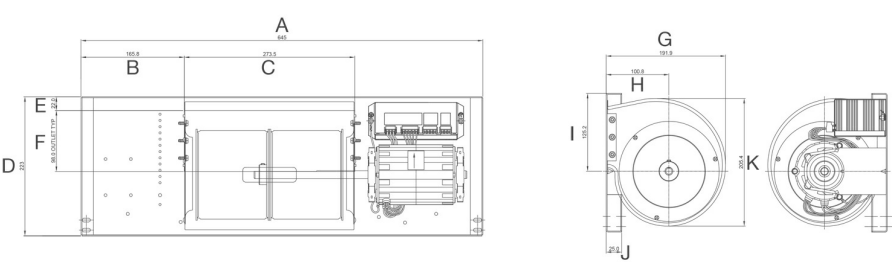
Supply (V/Ph/Hz)	230 / 1 / 50/60
Max Airflow (m³/h)	878
Max Current (A)	1.1
Max Input Power (W)	141
Max Speed (rpm)	1550
ErP Efficiency Rating (FMEG)	Out of Scope
Ip Rating	20
Motor Insulation Class	F
Temperature Range (°C)	-20 to +50
Weight (KG)	TBC

Performance Data

Data Point	Static Pressure (pa)	Airflow (m³/h)	Current (A)	Speed (rpm)	Power (W)
1	188	0	0.38	1534	43
2	160	113	0.60	1537	46
3	113	419	0.60	1535	72
4	61	690	0.83	1536	104
5	0	878	1.09	1534	141



- Tested in accordance with ISO 5801
- Installation type method - type A



Dimensions			
A	645	G	191.9
B	165.8	H	100.8
C	273.5	I	125.2
D	223	J	25
E	22	K	205.4
F	98	L	

Dimensions			
A	645	G	191.9
B	165.8	H	100.8
C	273.5	I	125.2
D	223	J	25
E	22	K	205.4
F	98	L	

Dimensions

A	645	G	191.9
B	165.8	H	100.8
C	273.5	I	125.2
D	223	J	25
E	22	K	205.4
F	98	L	

General Enquiries
+44 (0) 1793 524 291

Tech Support
+44 (0) 1793 524 291

Sales Support
+44 (0) 1793 640 554

www.torin-sifan.com

torin-sifan
The Partner of Choice