

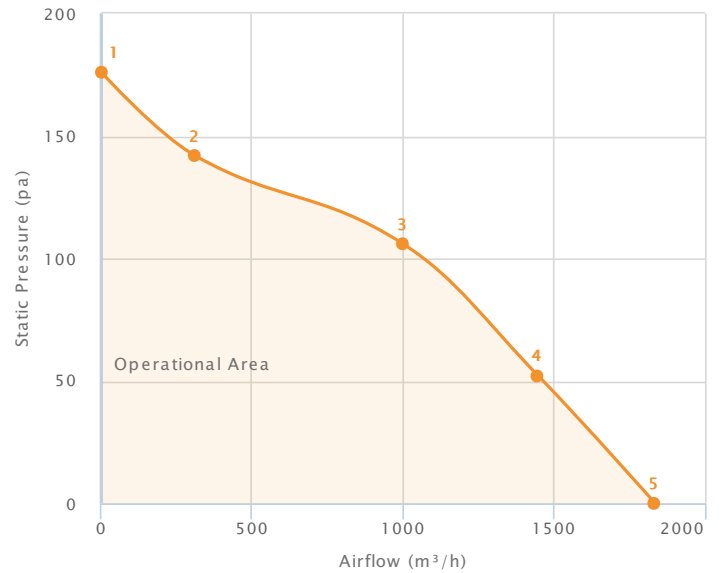
## Twin EC Fandecks Twin EC Fandeck 133-222

### Technical Data

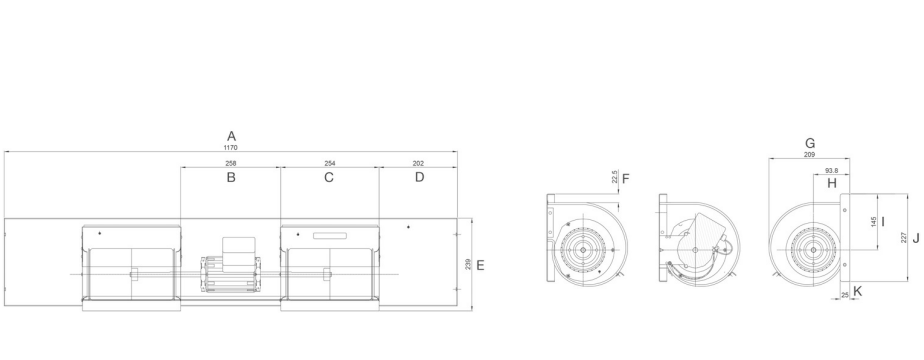
Supply (V/Ph/Hz)	230 / 1 / 50/60
Max Airflow (m³/h)	1835
Max Current (A)	1.54
Max Input Power (W)	214
Max Speed (rpm)	1560
ErP Efficiency Rating (FMEG)	Out of Scope
Ip Rating	20
Motor Insulation Class	F
Temperature Range (°C)	-20 to +50
Weight (KG)	TBC

### Performance Data

Data Point	Static Pressure (pa)	Airflow (m³/h)	Current (A)	Speed (rpm)	Power (W)
1	176	0	0.37	1555	52
2	142	310	0.43	1552	61
3	106	999	0.84	1552	115
4	52	1448	1.16	1554	162
5	0	1835	1.54	1552	214



- Tested in accordance with ISO 5801
- Installation type method - type A



### Dimensions

A	1170	G	209
B	258	H	93.8
C	254	I	145
D	202	J	227
E	239	K	25
F	22.5	L	

**General Enquiries**  
+44 (0) 1793 524 291

**Tech Support**  
+44 (0) 1793 524 291

**Sales Support**  
+44 (0) 1793 640 554

[www.torin-sifan.com](http://www.torin-sifan.com)

**torin-sifan**  
The Partner of Choice