

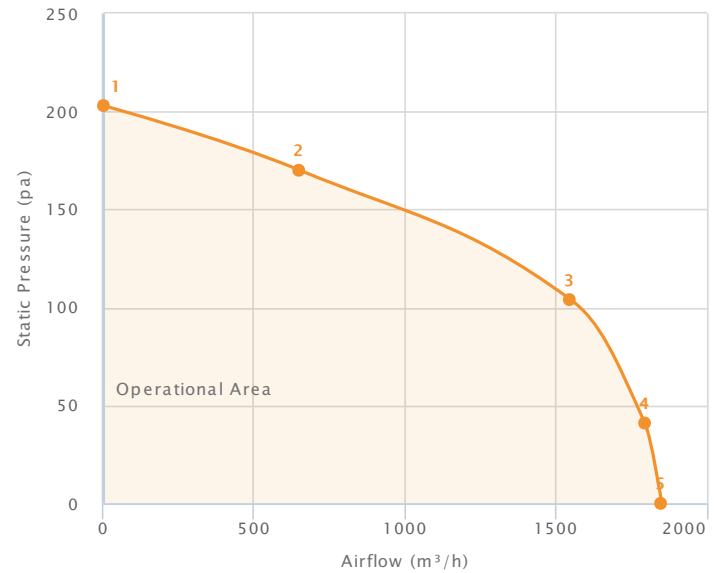
Twin EC Fandecks Twin EC Fandeck 146-222

Technical Data

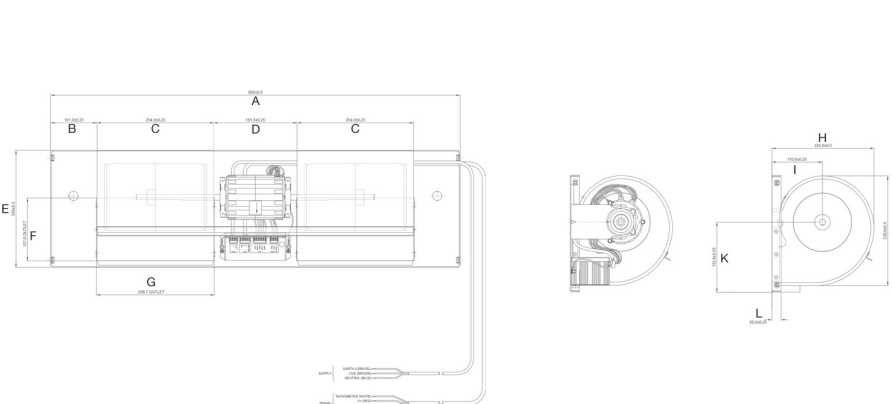
Supply (V/Ph/Hz)	230 / 1 / 50/60
Max Airflow (m ³ /h)	1850
Max Current (A)	1.9
Max Input Power (W)	259
Max Speed (rpm)	1550
ErP Efficiency Rating (FMEG)	Out of Scope
Ip Rating	20
Mbtor Insulation Class	F
Temperature Range (°C)	-20 to +50
Weight (KG)	TBC

Performance Data

Data Point	Static Pressure (pa)	Airflow (m ³ /h)	Current (A)	Speed (rpm)	Power (W)
1	203	0	0.50	1532	60
2	170	651	0.80	1531	98
3	104	1548	1.60	1532	217
4	41	1794	1.83	1469	251
5	0	1850	1.87	1413	259



- Tested in accordance with ISO 5801
- Installation type method - type A



A	892	G	256.7
B	101	H	222
C	254	I	110.6
D	181	J	239.6
E	255	K	152.8
F	137	L	20

A	892	G	256.7
B	101	H	222
C	254	I	110.6
D	181	J	239.6
E	255	K	152.8
F	137	L	20

Dimensions

A	892	G	256.7
B	101	H	222
C	254	I	110.6
D	181	J	239.6
E	255	K	152.8
F	137	L	20

General Enquiries
+44 (0) 1793 524 291

Tech Support
+44 (0) 1793 524 291

Sales Support
+44 (0) 1793 640 554

www.torin-sifan.com

torin-sifan
The Partner of Choice