

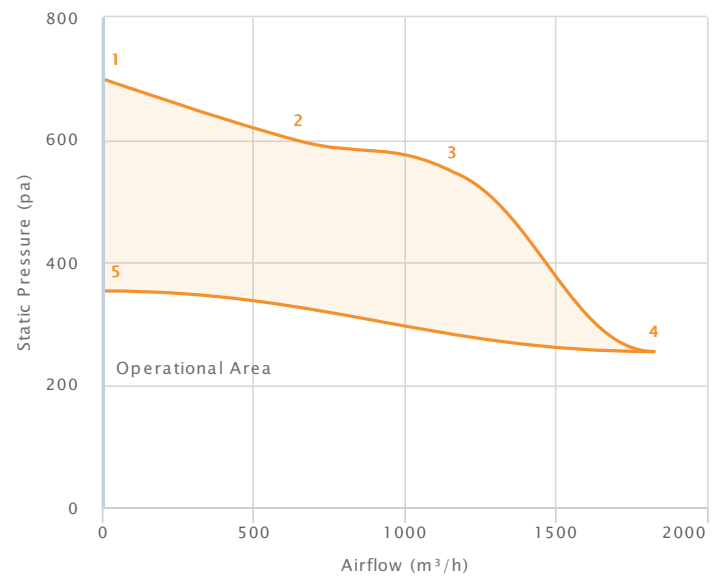
High Efficiency EC Direct Drive Fans (High-Pressure) ECDDC-HP 201-178 (7/7)

Technical Data

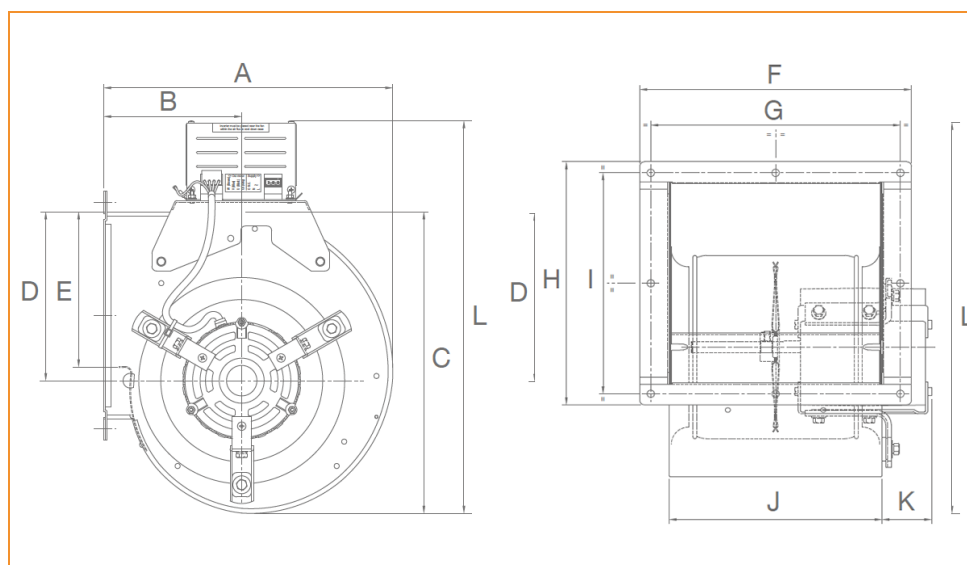
Supply (V/Ph/Hz)	230 / 1 / 50
Max Airflow (m³/h)	1921
Max Current (A)	2.50
Max Input Power (W)	560
Max Speed (rpm)	2227
ErP Efficiency Rating (FMEG)	44
Ip Rating	20
Motor Insulation Class	F
Temperature Range (°C)	-20 to +40
Weight (KG)	10.5

Performance Data

Data Point	Static Pressure (pa)	Airflow (m³/h)	Current (A)	Speed (rpm)	Power (W)
1	699	0.00	1.35	2227	295
2	598	649	1.82	2189	413
3	547	1160	2.47	2129	553
4	254	1825	2.48	1725	560
5	353	0.01	0.70	1615	132



■ Tested in accordance with ISO 5801
■ Installation type method - type A



Dimensions

A	309	G	272
B	148	H	265
C	322	I	241
D	180	J	232
E	165	K	54
F	296	L	419

General Enquiries
+44 (0) 1793 524 291

Tech Support
+44 (0) 1793 524 291

Sales Support
+44 (0) 1793 640 554

www.torin-sifan.com

torin-sifan
The Partner of Choice