

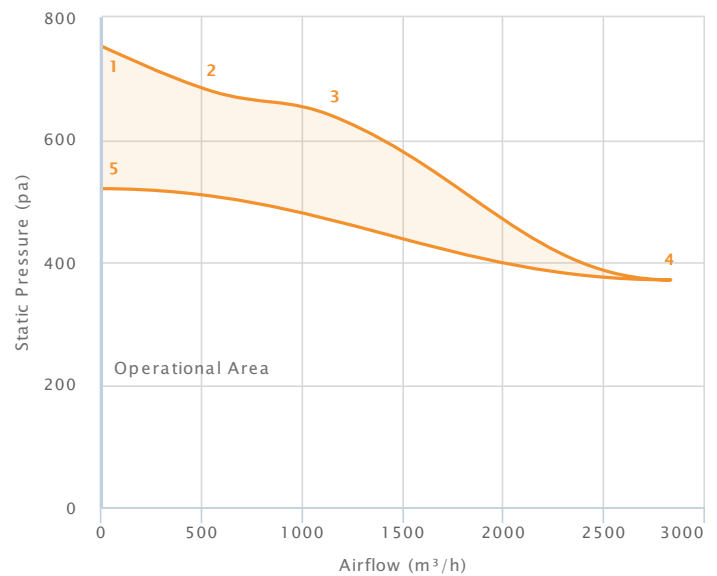
## High Efficiency EC Direct Drive Fans (High-Pressure) ECDDC-HP 241-181 (9/7)

### Technical Data

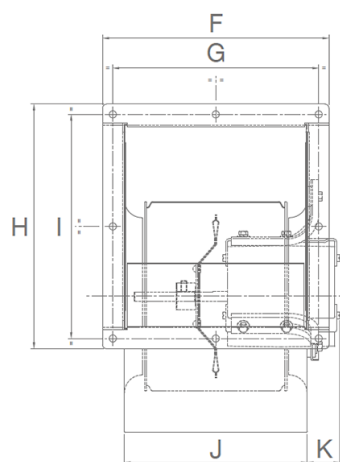
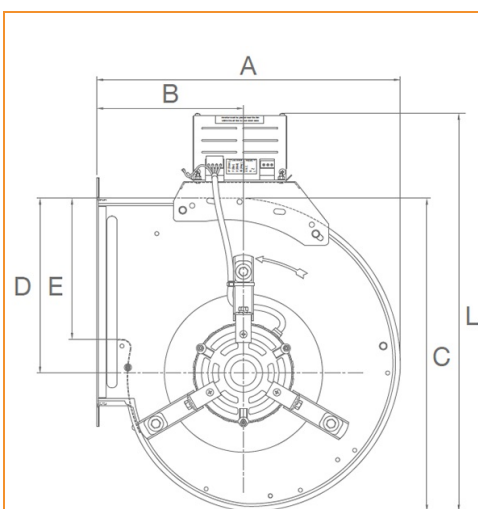
Supply (V/Ph/Hz)	230 / 1 / 50
Max Airflow (m³/h)	2914
Max Current (A)	4.70
Max Input Power (W)	1046
Max Speed (rpm)	1995
ErP Efficiency Rating (FMEG)	51
Ip Rating	20
Motor Insulation Class	F
Temperature Range (°C)	-20 to +40
Weight (KG)	14.5

### Performance Data

Data Point	Static Pressure (pa)	Airflow (m³/h)	Current (A)	Speed (rpm)	Power (W)
1	753	0.00	1.43	1970	326
2	679	552	1.76	1967	395
3	637	1162	2.53	1944	569
4	371	2830	4.39	1667	1000
5	520	0.01	1.00	1618	194



■ Tested in accordance with ISO 5801  
■ Installation type method - type A



### Dimensions

A	381	G	262
B	184	H	311
C	392	I	285
D	219	J	233
E	177	K	37.4
F	288	L	498