

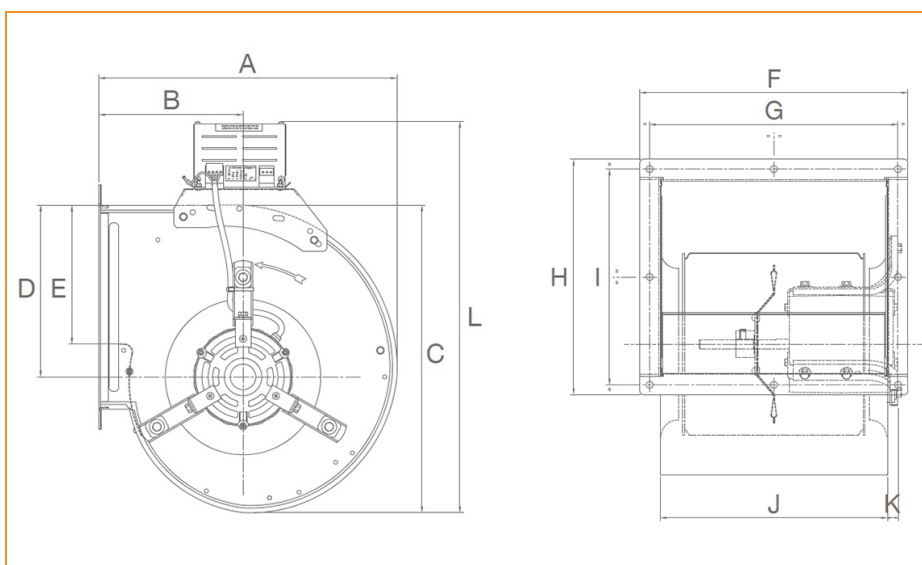
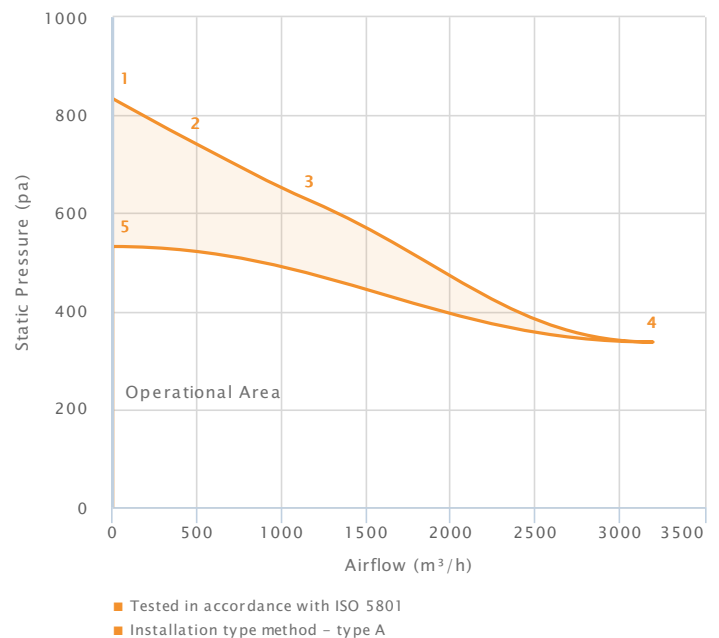
High Efficiency EC Direct Drive Fans (High-Pressure) ECDDC-HP 241-241 (9/9)

Technical Data

Supply (V/Ph/Hz)	230 / 1 / 50
Max Airflow (m³/h)	3228
Max Current (A)	4.66
Max Input Power (W)	1040
Max Speed (rpm)	1975
ErP Efficiency Rating (FMEG)	50
Ip Rating	20
Motor Insulation Class	F
Temperature Range (°C)	-20 to +40
Weight (KG)	16

Performance Data

Data Point	Static Pressure (pa)	Airflow (m³/h)	Current (A)	Speed (rpm)	Power (W)
1	834	0.00	1.90	1960	421
2	741	497	2.00	1972	448
3	625	1171	2.73	1930	613
4	337	3193	4.42	1606	995
5	532	0.01	1.21	1642	258



Dimensions

A	381	G	328
B	184	H	311
C	392	I	285
D	219	J	300
E	177	K	13.9
F	354	L	498