

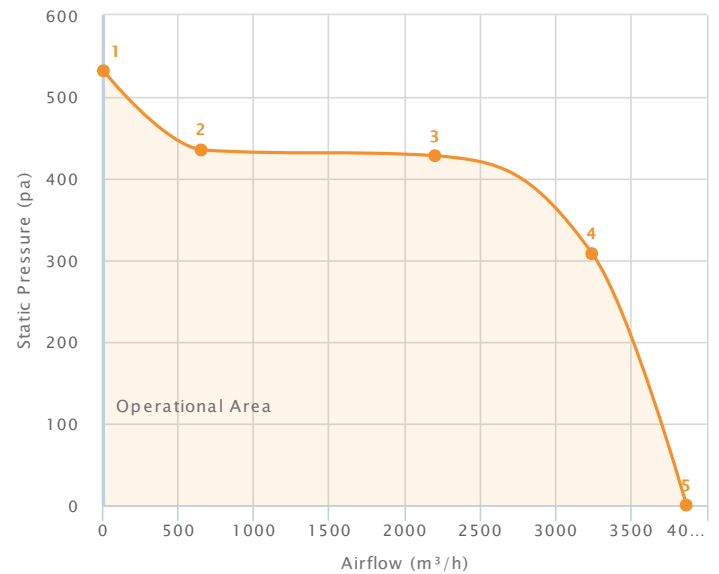
## High Efficiency EC Direct Drive Fans (Standard) ECDDC 241-241 (9/9)

### Technical Data

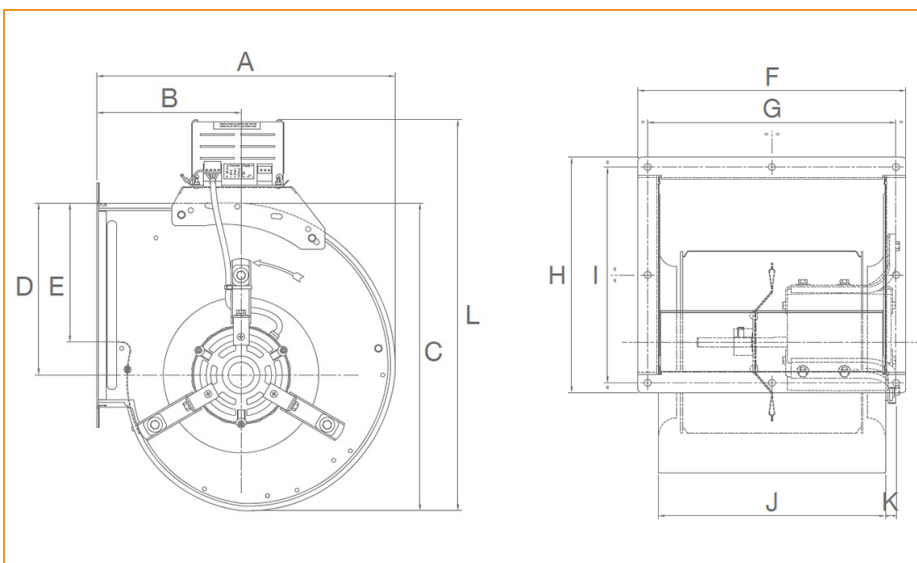
Supply (V/Ph/Hz)	230 / 1 / 50
Max Airflow (m³/h)	3871
Max Current (A)	4.75
Max Input Power (W)	1089
Max Speed (rpm)	1547
ErP Efficiency Rating (FMEG)	56
Ip Rating	20
Motor Insulation Class	F
Temperature Range (°C)	-20 to +40
Weight (KG)	16

### Performance Data

Data Point	Static Pressure (pa)	Airflow (m³/h)	Current (A)	Speed (rpm)	Power (W)
1	532	0.00	0.97	1547	204
2	435	652	1.14	1545	245
3	428	2203	2.60	1544	655
4	308	3240	4.45	1544	1089
5	0.00	3864	4.75	1270	1085



■ Tested in accordance with ISO 5801  
■ Installation type method - type A



### Dimensions

A	381	G	328
B	184	H	311
C	392	I	285
D	219	J	300
E	177	K	13.9
F	354	L	498