

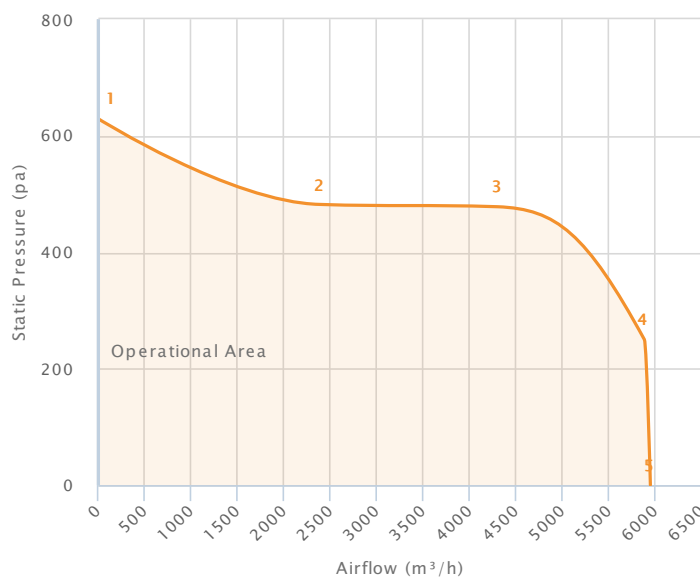
High Efficiency EC Direct Drive Fans (Standard) ECDDC 321-321 (12/12)

Technical Data

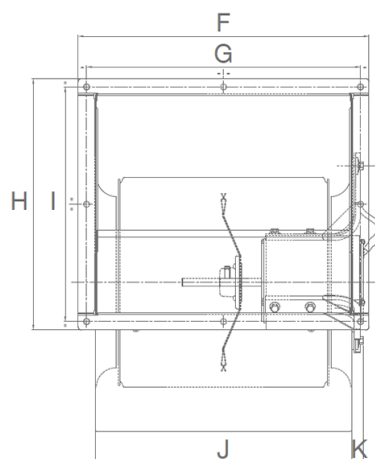
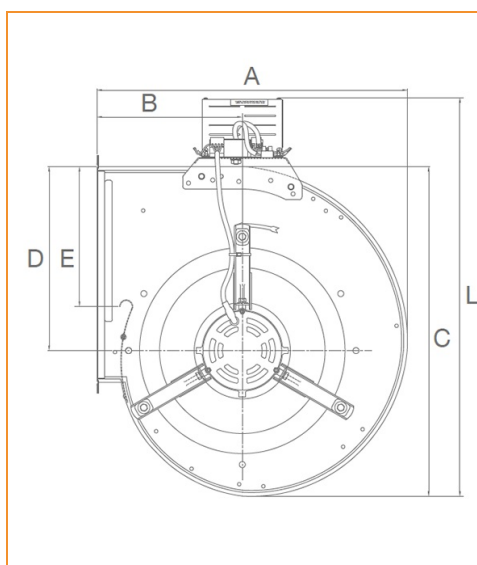
Supply (V/Ph/Hz)	230 / 1 / 50
Max Airflow (m³/h)	5965
Max Current (A)	7.15
Max Input Power (W)	1580
Max Speed (rpm)	1160
ErP Efficiency Rating (FMEG)	62
Ip Rating	20
Motor Insulation Class	F
Temperature Range (°C)	-20 to +40
Weight (KG)	25.5

Performance Data

Data Point	Static Pressure (pa)	Airflow (m³/h)	Current (A)	Speed (rpm)	Power (W)
1	629	0.00	1.66	1159	362
2	482	2381	2.85	1157	646
3	478	4301	5.32	1156	1200
4	250	5879	6.93	1017	1575
5	0.00	5944	4.43	713	1013



■ Tested in accordance with ISO 5801
■ Installation type method - type A



Dimensions

A	495	G	425
B	232	H	390
C	524	I	364
D	293	J	397
E	212	K	18
F	451	L	633