

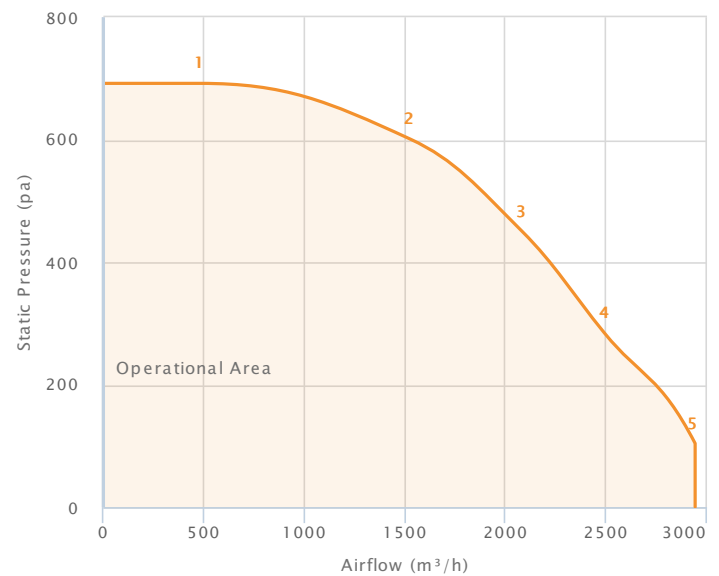
Frequency Controlled Direct Drive Fans FCDDC 241-181 (9/7)

Technical Data

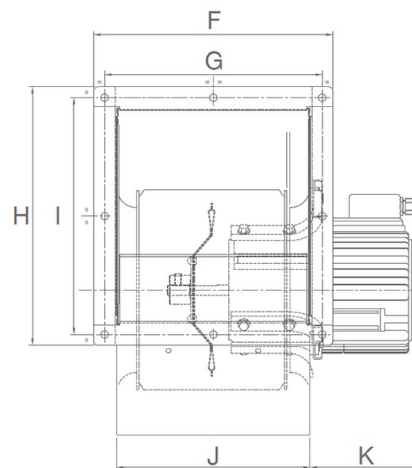
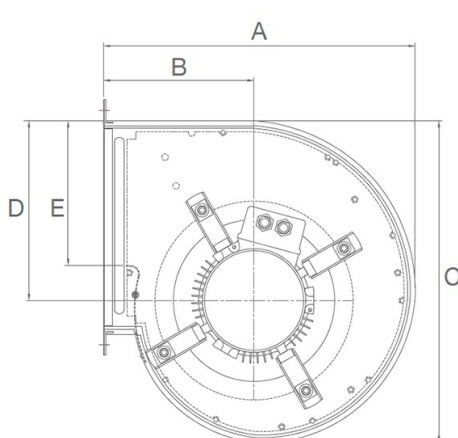
Supply (V/Ph/Hz)	230 / 1 / 50
Max Airflow (m³/h)	2941
Max Current (A)	6.2
Max Input Power (W)	1062
Max Speed (rpm)	1890
ErP Efficiency Rating (FMEG)	50
Ip Rating	44
Motor Insulation Class	F
Temperature Range (°C)	-20 to +40
Weight (KG)	17

Performance Data

Data Point	Static Pressure (pa)	Airflow (m³/h)	Current (A)	Speed (rpm)	Power (W)
1	692	482	2.9	1890	441
2	601	1525	4.2	1772	793
3	450	2082	5.4	1551	879
4	284	2491	5.8	1376	950
5	104	2941	6.2	1211	1030



■ Tested in accordance with ISO 5801
■ Installation type method - type A



Dimensions

A	380.9	G	262
B	184.1	H	311
C	392	I	285
D	218.9	J	233
E	176	K	132
F	288	L	