

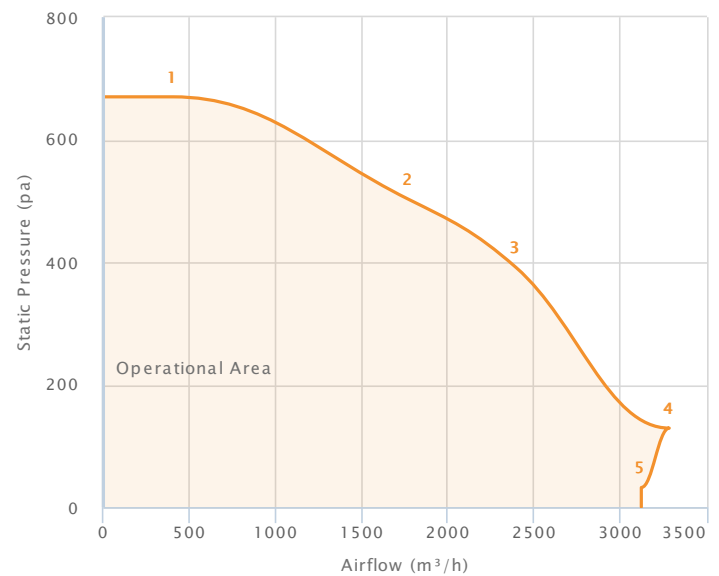
Frequency Controlled Direct Drive Fans FCDDC 241-241 (9/9)

Technical Data

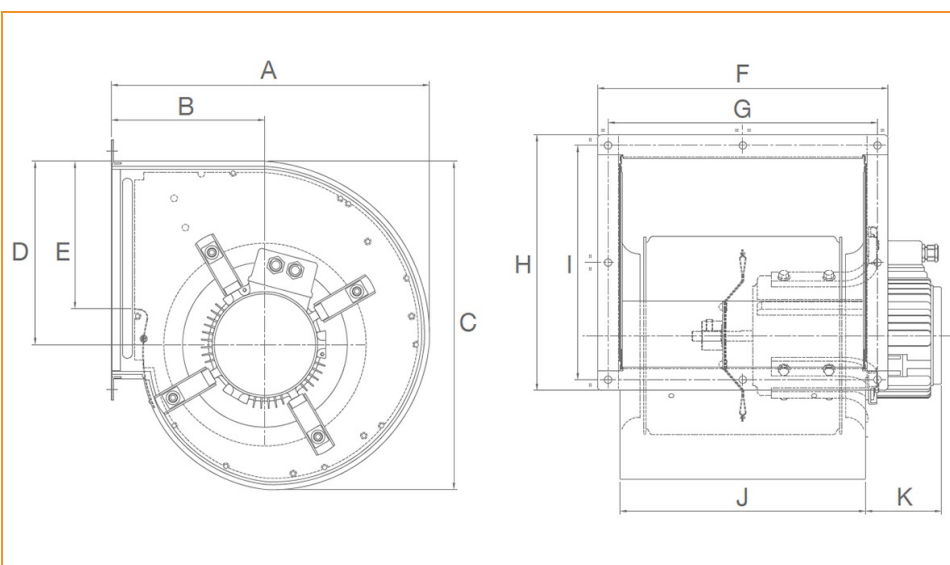
| | |
|------------------------------|--------------|
| Supply (V/Ph/Hz) | 230 / 1 / 50 |
| Max Airflow (m³/h) | 3281 |
| Max Current (A) | 6.3 |
| Max Input Power (W) | 971 |
| Max Speed (rpm) | 1872 |
| ErP Efficiency Rating (FMEG) | 46 |
| Ip Rating | 44 |
| Motor Insulation Class | F |
| Temperature Range (°C) | -20 to +40 |
| Weight (KG) | 18 |

Performance Data

| Data Point | Static Pressure (pa) | Airflow (m³/h) | Current (A) | Speed (rpm) | Power (W) |
|------------|----------------------|----------------|-------------|-------------|-----------|
| 1 | 670 | 404 | 2.8 | 1872 | 502 |
| 2 | 503 | 1767 | 5.1 | 1724 | 859 |
| 3 | 391 | 2394 | 5.9 | 1544 | 893 |
| 4 | 129 | 3281 | 6.3 | 1217 | 945 |
| 5 | 32 | 3119 | 4.0 | 990 | 570 |



■ Tested in accordance with ISO 5801
■ Installation type method - type A



Dimensions

| | | | |
|---|-------|---|-----|
| A | 380.9 | G | 328 |
| B | 184.1 | H | 311 |
| C | 392 | I | 285 |
| D | 218.9 | J | 299 |
| E | 176 | K | 92 |
| F | 354 | L | |