



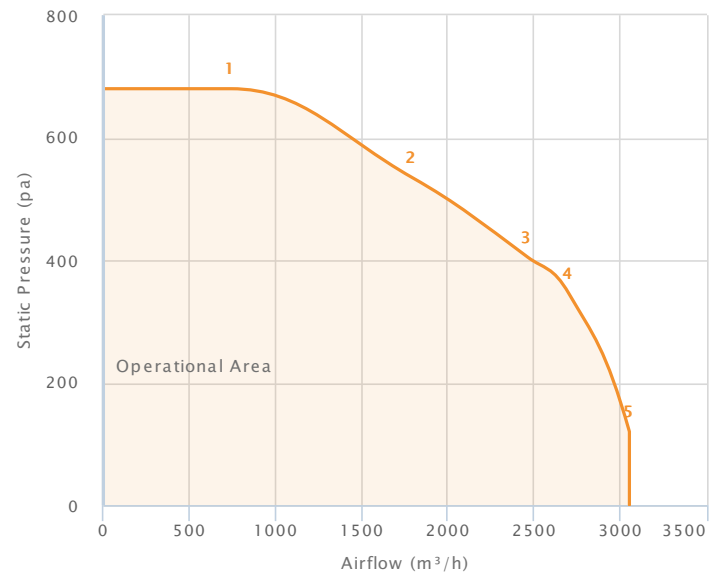
## Frequency Controlled Direct Drive Fans FCDDC 270-203 (10/8)

### Technical Data

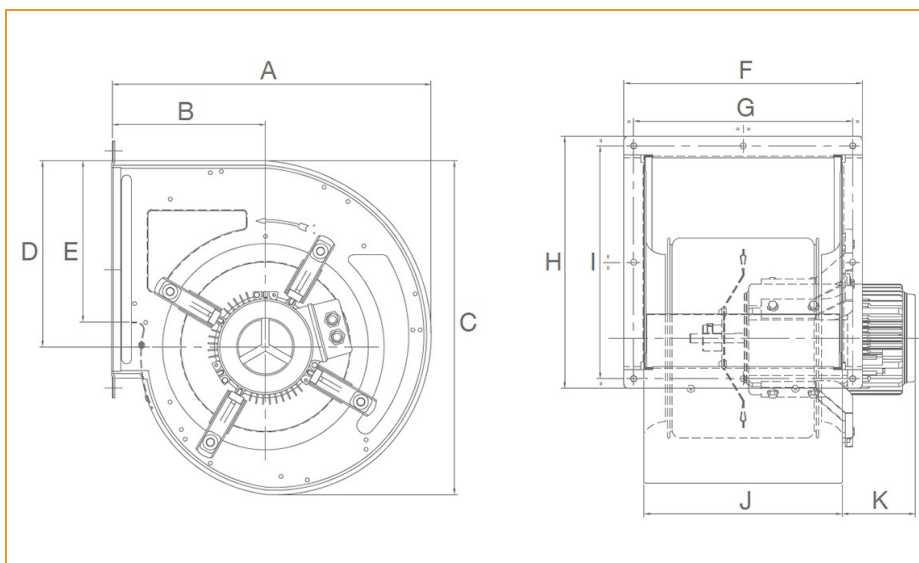
Supply (V/Ph/Hz)	230 / 1 / 50
Max Airflow (m³/h)	3050
Max Current (A)	5.7
Max Input Power (W)	1148
Max Speed (rpm)	1725
ErP Efficiency Rating (FMEG)	46
Ip Rating	44
Motor Insulation Class	F
Temperature Range (°C)	-20 to +40
Weight (KG)	18

### Performance Data

Data Point	Static Pressure (pa)	Airflow (m³/h)	Current (A)	Speed (rpm)	Power (W)
1	680	740	3.3	1700	577
2	535	1790	4.7	1545	959
3	405	2460	5.7	1365	1019
4	345	2700	5.6	1275	931
5	120	3050	4.6	945	692



■ Tested in accordance with ISO 5801  
■ Installation type method - type A



### Dimensions

A	423	G	295
B	203	H	340
C	442	I	314
D	246	J	267
E	213	K	98
F	321	L	

General Enquiries  
+44 (0) 1793 524 291

Tech Support  
+44 (0) 1793 524 291

Sales Support  
+44 (0) 1793 640 554

[www.torin-sifan.com](http://www.torin-sifan.com)

**torin-sifan**  
The Partner of Choice