



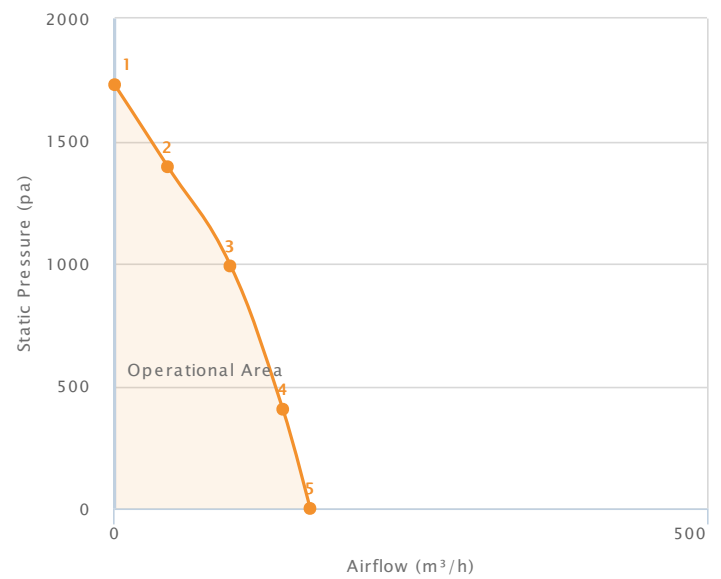
## EC/DC Combustion Fans DSB144-22 HEF 325 V

### Technical Data

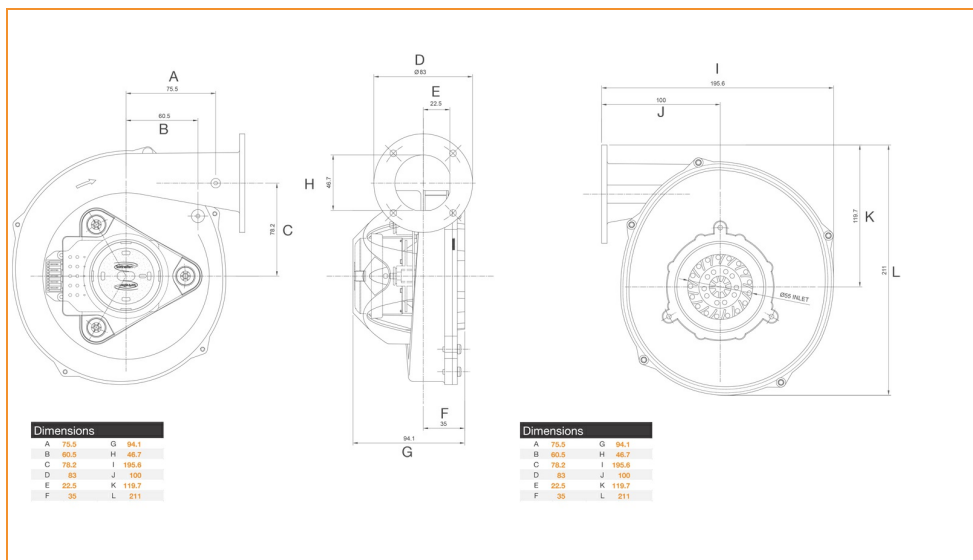
Supply (V/Ph/Hz)	325 // VF
Max Airflow (m³/h)	165
Max Current (A)	0.75
Max Input Power (W)	87
Max Speed (rpm)	6400
ErP Efficiency Rating (FMEG)	Out of Scope
Ip Rating	00
Motor Insulation Class	B
Temperature Range (°C)	-10 to +50
Weight (KG)	1.4

### Performance Data

Data Point	Static Pressure (pa)	Airflow (m³/h)	Current (A)	Speed (rpm)	Power (W)
1	1730	0	0.46	6411	49
2	1395	45	0.54	5945	61
3	990	98	0.64	5496	75
4	405	142	0.73	5337	85
5	0	165	0.74	5296	87



■ Tested in accordance with ISO 5801  
■ Installation type method - type A



### Dimensions

A	75.5	G	94.1
B	60.5	H	46.7
C	78.2	I	195.6
D	83	J	100
E	22.5	K	119.7
F	35	L	211

**General Enquiries**  
+44 (0) 1793 524 291

**Tech Support**  
+44 (0) 1793 524 291

**Sales Support**  
+44 (0) 1793 640 554

[www.torin-sifan.com](http://www.torin-sifan.com)

**torin-sifan**  
The Partner of Choice