



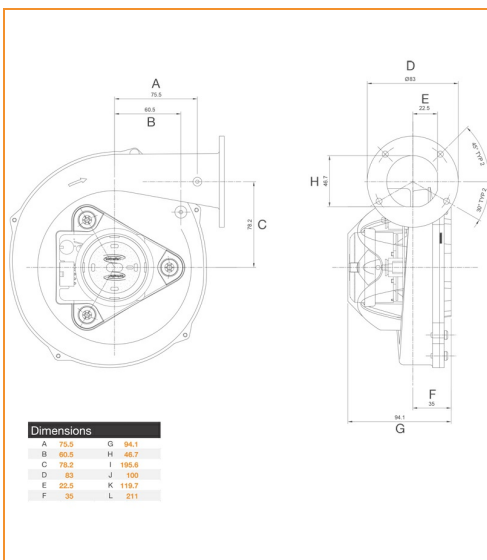
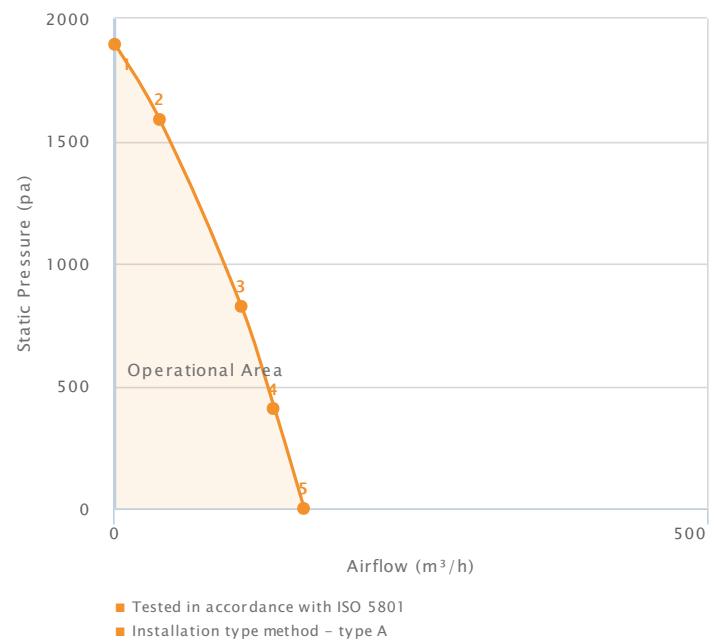
EC/DC Combustion Fans DSB144-22 LV 24 V

Technical Data

Supply (V/Ph/Hz)	24 // DC
Max Airflow (m³/h)	160
Max Current (A)	3.25
Max Input Power (W)	78
Max Speed (rpm)	6600
ErP Efficiency Rating (FMEG)	Out of Scope
Ip Rating	00
Mbtor Insulation Class	B
Temperature Range (°C)	-10 to +50
Weight (KG)	1.4

Performance Data

Data Point	Static Pressure (pa)	Airflow (m³/h)	Current (A)	Speed (rpm)	Power (W)
1	1895	0	2.37	6602	57
2	1588	38	2.60	6158	62
3	825	107	3.11	5294	75
4	408	135	3.21	5044	77
5	0	160	3.26	4873	78



Dimensions

A	75.5	G	94.1
B	60.5	H	46.7
C	78.2	I	195.6
D	83	J	100
E	22.5	K	119.7
F	35	L	211

General Enquiries
+44 (0) 1793 524 291

Tech Support
+44 (0) 1793 524 291

Sales Support
+44 (0) 1793 640 554

www.torin-sifan.com

torin-sifan
The Partner of Choice