

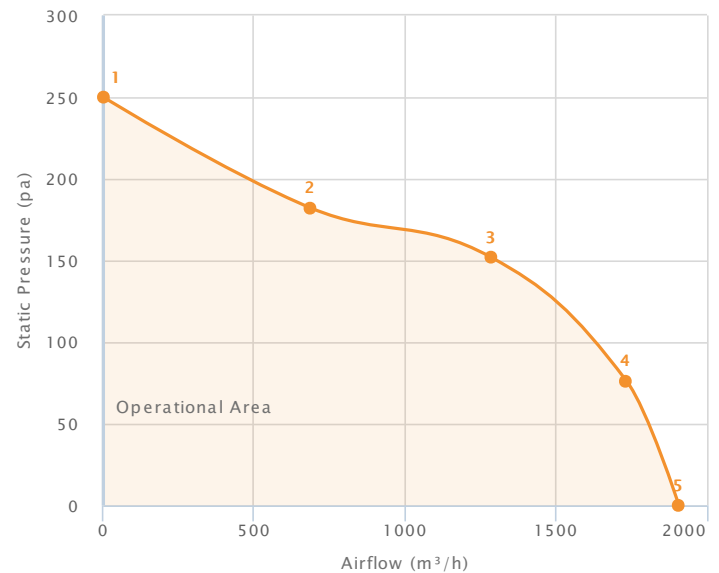
Twin EC Fandecks Twin EC Fandeck 160-222

Technical Data

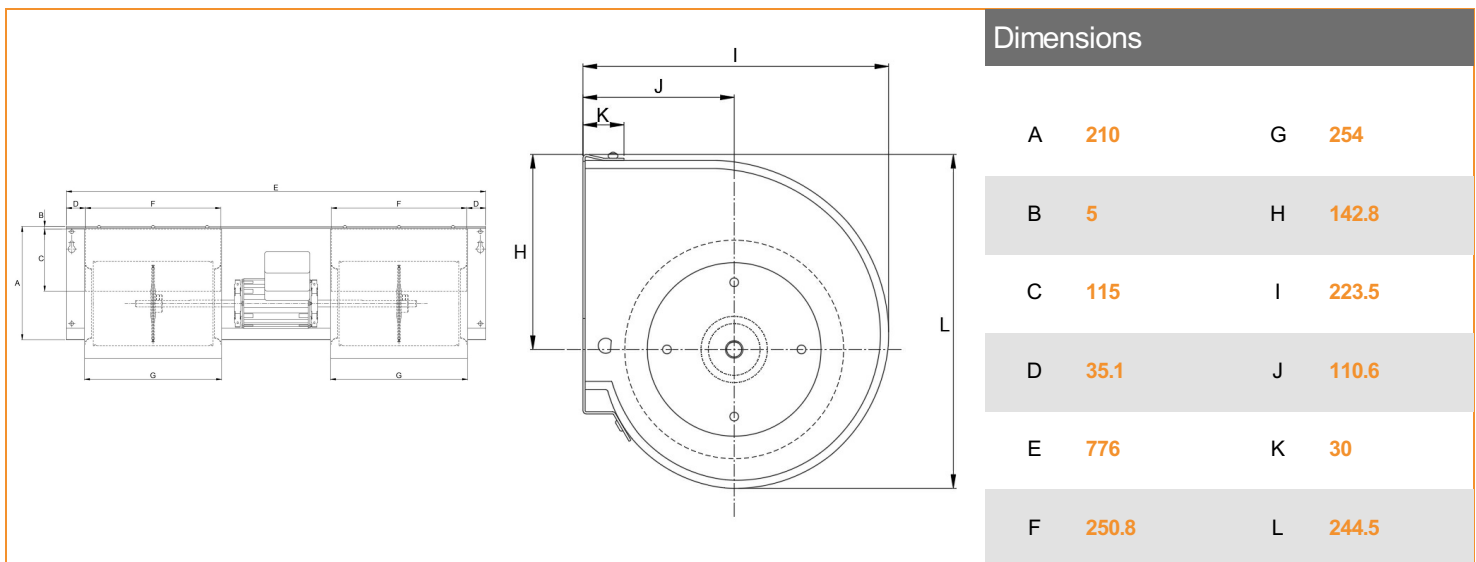
Supply (V/Ph/Hz)	230 / 1 / 50/60
Max Airflow (m³/h)	1907
Max Current (A)	2
Max Input Power (W)	260
Max Speed (rpm)	1550
ErP Efficiency Rating (FMEG)	Out of Scope
Ip Rating	20
Motor Insulation Class	F
Temperature Range (°C)	-20 to +50
Weight (KG)	TBC

Performance Data

Data Point	Static Pressure (pa)	Airflow (m³/h)	Current (A)	Speed (rpm)	Power (W)
1	250	0	0.52	1560	71
2	182	689	0.95	1560	119
3	152	1284	1.62	1562	208
4	76	1734	1.97	1460	260
5	0	1907	1.92	1325	254



- Tested in accordance with ISO 5801
- Installation type method - type A



General Enquiries
+44 (0) 1793 524 291

Tech Support
+44 (0) 1793 524 291

Sales Support
+44 (0) 1793 640 554

www.torin-sifan.com

torin-sifan
The Partner of Choice