

Triple EC Fandecks

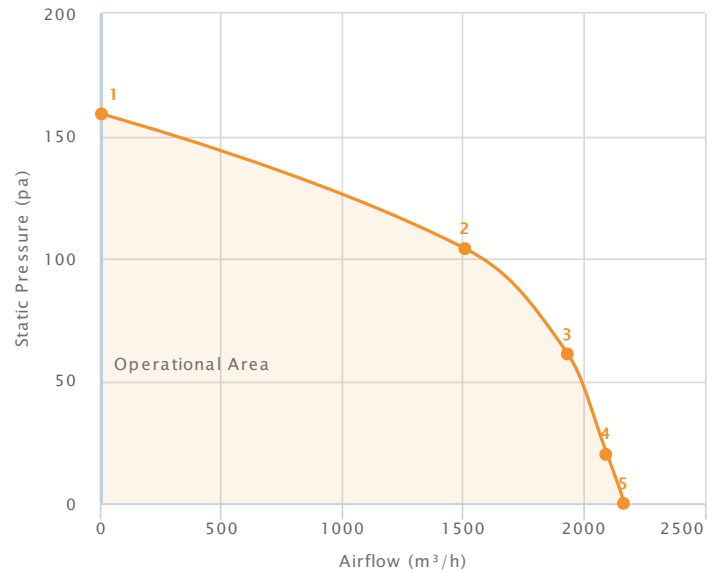
Triple EC Fandeck 133-178

Technical Data

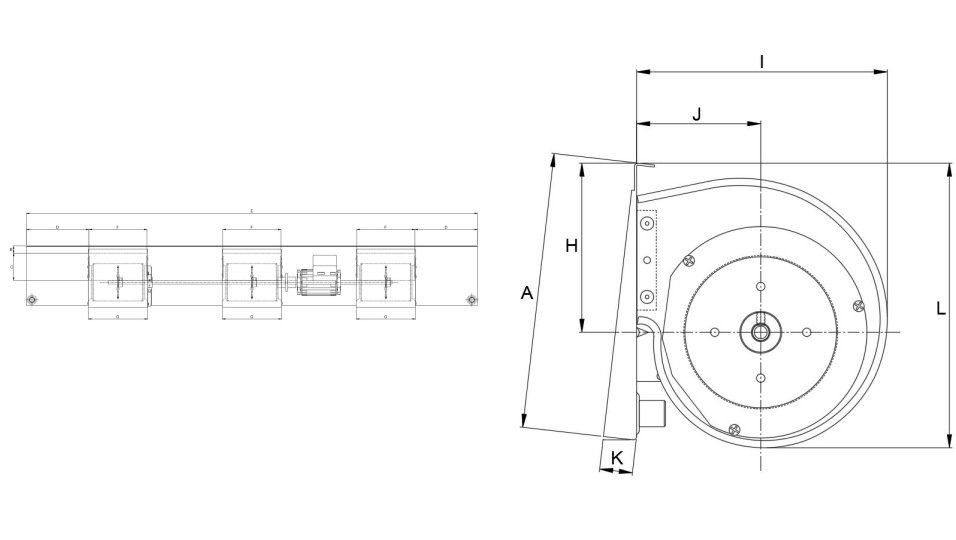
Supply (V/Ph/Hz)	230 / 1 / 50/60
Max Airflow (m ³ /h)	2167
Max Current (A)	1.9
Max Input Power (W)	255
Max Speed (rpm)	1550
ErP Efficiency Rating (FMEG)	NA
Ip Rating	20
Motor Insulation Class	F
Temperature Range (°C)	-20 to +50
Weight (KG)	TBC

Performance Data

Data Point	Static Pressure (pa)	Airflow (m ³ /h)	Current (A)	Speed (rpm)	Power (W)
1	159	0	0.41	1570	56
2	104	1507	1.39	1563	191
3	61	1932	1.81	1537	254
4	20	2095	1.80	1429	255
5	0	2167	1.79	1368	251



■ Tested in accordance with ISO 5801
 ■ Installation type method - type A



Dimensions

A	210	G	210
B	26	H	129
C	96	I	190
D	222	J	95
E	1600	K	25
F	206	L	217

General Enquiries
 +44 (0) 1793 524 291

Tech Support
 +44 (0) 1793 524 291

Sales Support
 +44 (0) 1793 640 554

www.torin-sifan.com

torin-sifan
 The Partner of Choice