

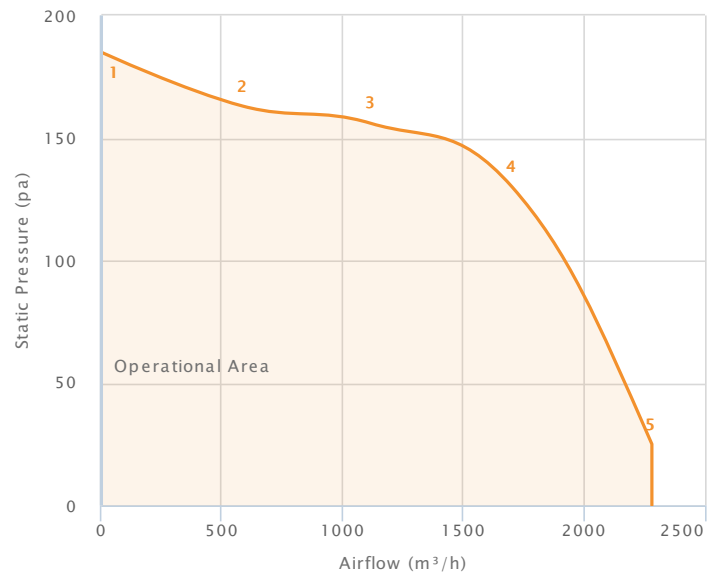
Triple EC Fandecks Triple EC Fandeck 146-222

Technical Data

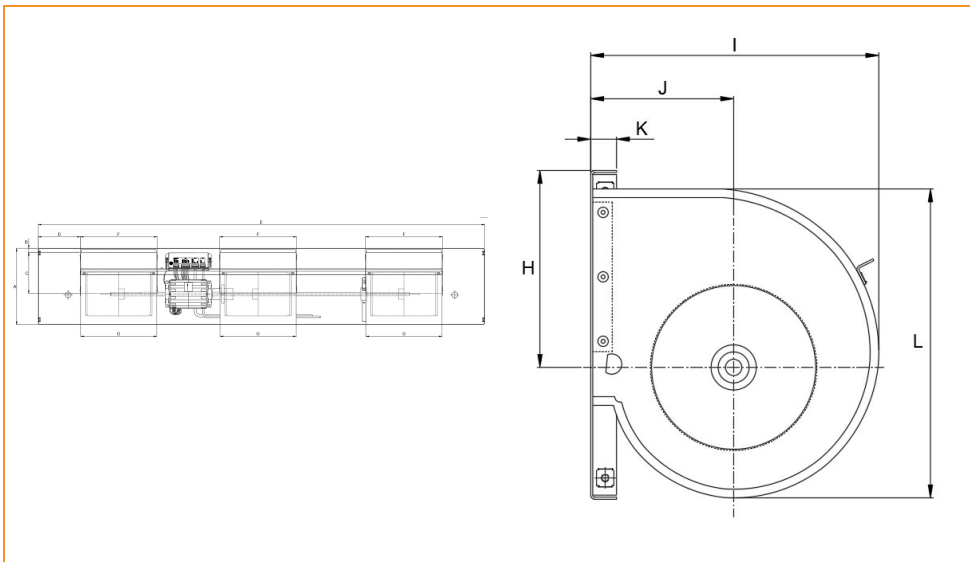
Supply (V/Ph/Hz)	230 / 1 / 50/60
Max Airflow (m³/h)	2280
Max Current (A)	1.9
Max Input Power (W)	256
Max Speed (rpm)	1550
ErP Efficiency Rating (FMEG)	44
Ip Rating	20
Motor Insulation Class	F
Temperature Range (°C)	-20 to +50
Weight (KG)	TBC

Performance Data

Data Point	Static Pressure (pa)	Airflow (m³/h)	Current (A)	Speed (rpm)	Power (W)
1	185	0	0.72	1541	87
2	163	586	0.98	1538	122
3	156	1115	1.32	1540	170
4	130	1701	1.82	1491	246
5	25	2280	1.76	1201	229



- Tested in accordance with ISO 5801
- Installation type method - type A



Dimensions

A	255	G	254
B	14	H	152.8
C	137	I	222.9
D	141	J	110.6
E	1492	K	20
F	256.7	L	239.6

General Enquiries
+44 (0) 1793 524 291

Tech Support
+44 (0) 1793 524 291

Sales Support
+44 (0) 1793 640 554

www.torin-sifan.com

torin-sifan
The Partner of Choice