

Triple EC Fandecks

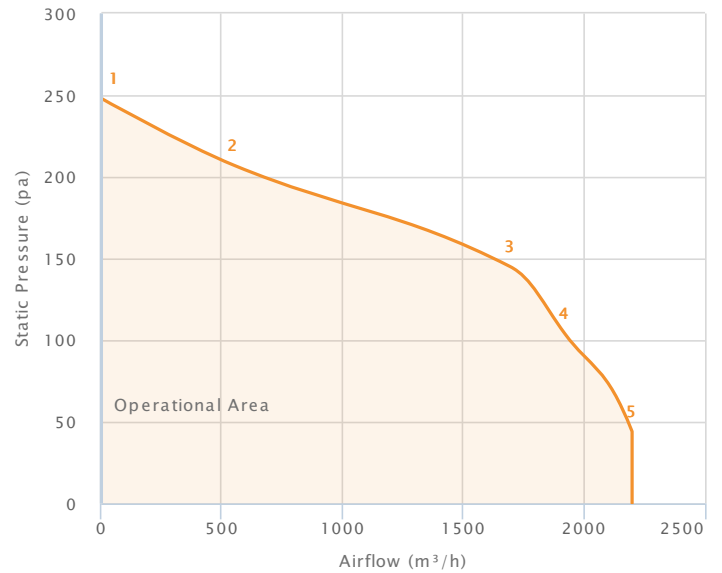
Triple EC Fandeck 160-222

Technical Data

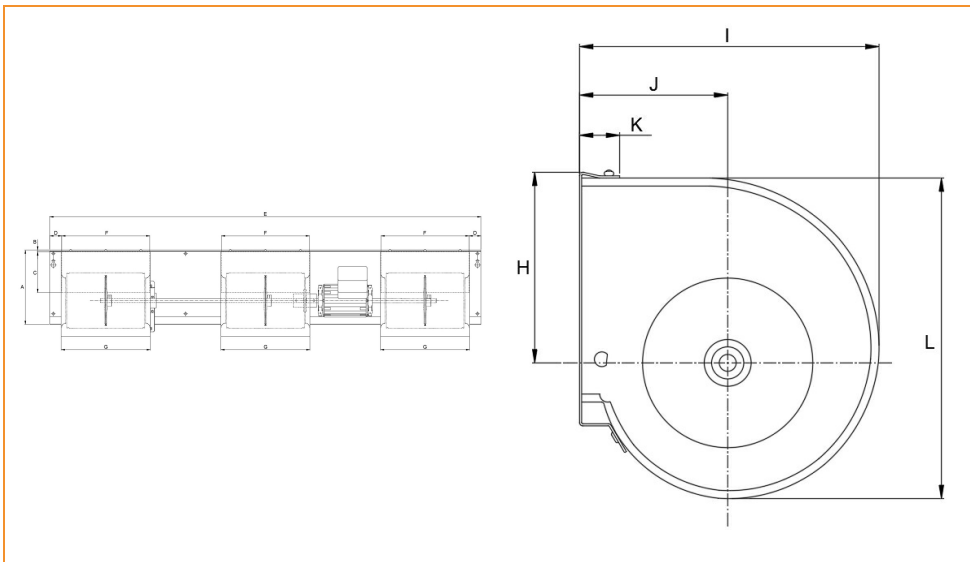
Supply (V/Ph/Hz)	230 / 1 / 50/60
Max Airflow (m ³ /h)	2198
Max Current (A)	1.8
Max Input Power (W)	254
Max Speed (rpm)	1550
ErP Efficiency Rating (FMEG)	45
Ip Rating	20
Motor Insulation Class	F
Temperature Range (°C)	-20 to +50
Weight (KG)	12.5

Performance Data

Data Point	Static Pressure (pa)	Airflow (m ³ /h)	Current (A)	Speed (rpm)	Power (W)
1	248	0	0.73	1560	101
2	207	550	0.90	1559	124
3	145	1693	1.83	1475	254
4	104	1919	1.78	1342	260
5	44	2198	1.74	1217	244



■ Tested in accordance with ISO 5801
 ■ Installation type method - type A



Dimensions

A	210	G	254
B	5	H	142.8
C	115	I	223.5
D	34.1	J	110.6
E	1229	K	30
F	250.8	L	240.2

General Enquiries
 +44 (0) 1793 524 291

Tech Support
 +44 (0) 1793 524 291

Sales Support
 +44 (0) 1793 640 554

www.torin-sifan.com

torin-sifan
 The Partner of Choice