

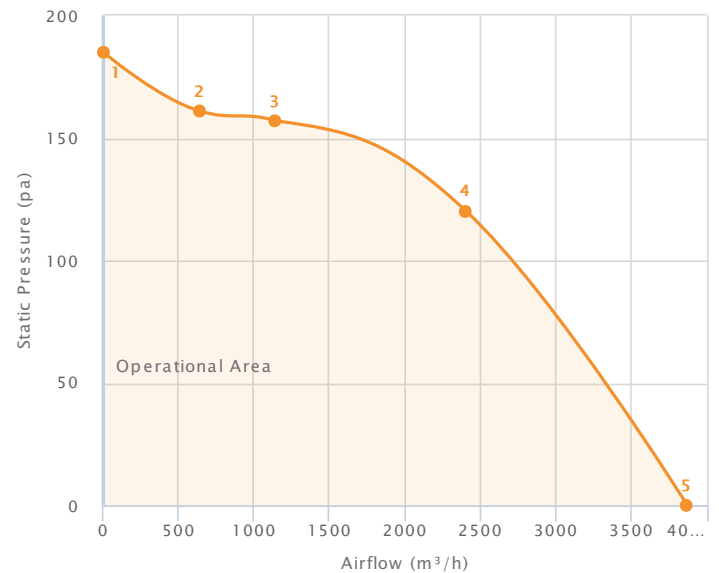
Quad EC Fandecks Quad EC Fandeck 146-222

Technical Data

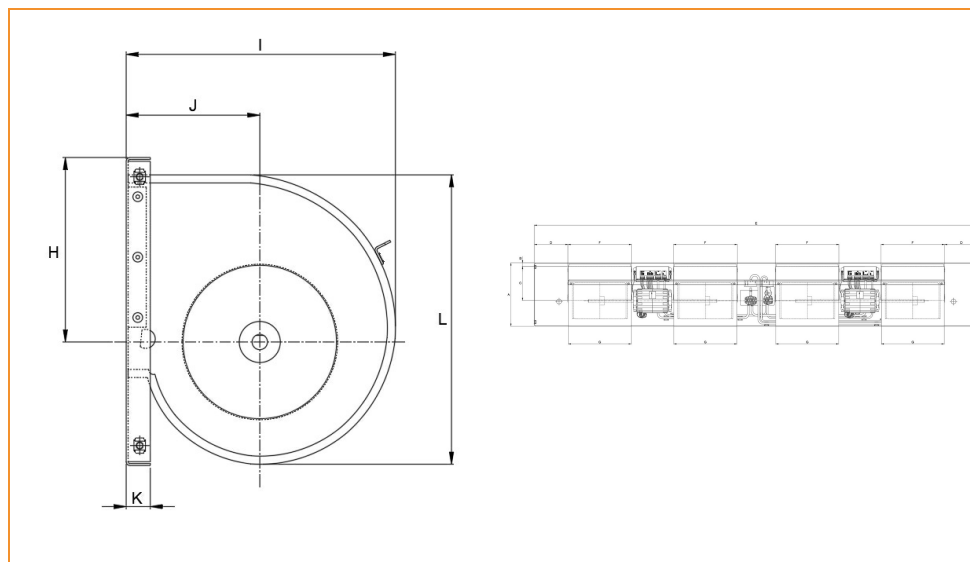
Supply (V/Ph/Hz)	230 / 1 / 50/60
Max Airflow (m³/h)	3870
Max Current (A)	3.4
Max Input Power (W)	473
Max Speed (rpm)	1550
ErP Efficiency Rating (FMEG)	44
Ip Rating	20
Motor Insulation Class	F
Temperature Range (°C)	-20 to +50
Weight (KG)	TBC

Performance Data

Data Point	Static Pressure (pa)	Airflow (m³/h)	Current (A)	Speed (rpm)	Power (W)
1	185	0	1.01	1532	120
2	161	644	1.19	1533	144
3	157	1139	1.49	1534	184
4	120	2406	2.61	1533	347
5	0	3870	3.43	1366	473



■ Tested in accordance with ISO 5801
■ Installation type method - type A



Dimensions

A	255.0	G	254.0
B	14.0	H	152.8
C	137.0	I	222.9
D	136.2	J	110.6
E	1792.0	K	20.0
F	256.7	L	240.1

General Enquiries
+44 (0) 1793 524 291

Tech Support
+44 (0) 1793 524 291

Sales Support
+44 (0) 1793 640 554

www.torin-sifan.com

torin-sifan
The Partner of Choice