

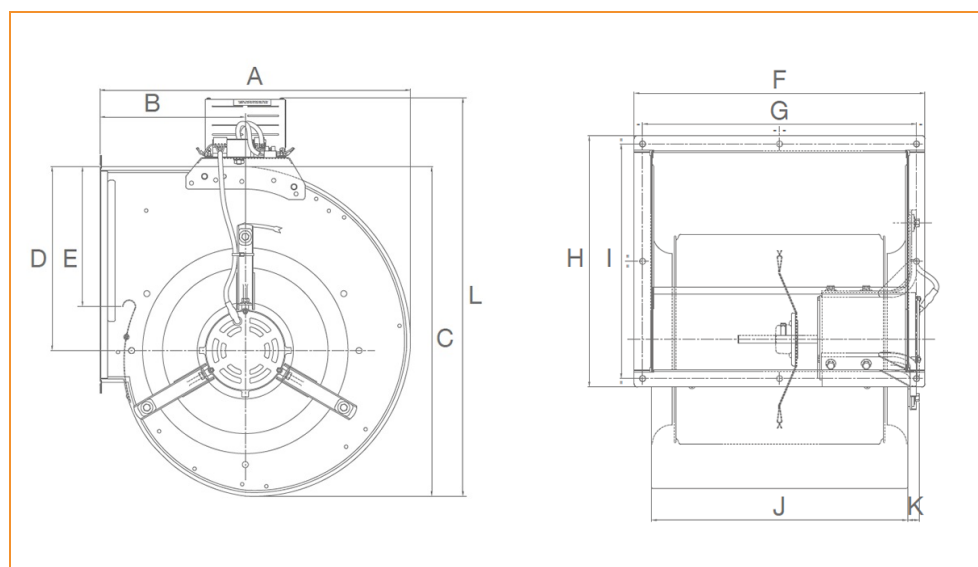
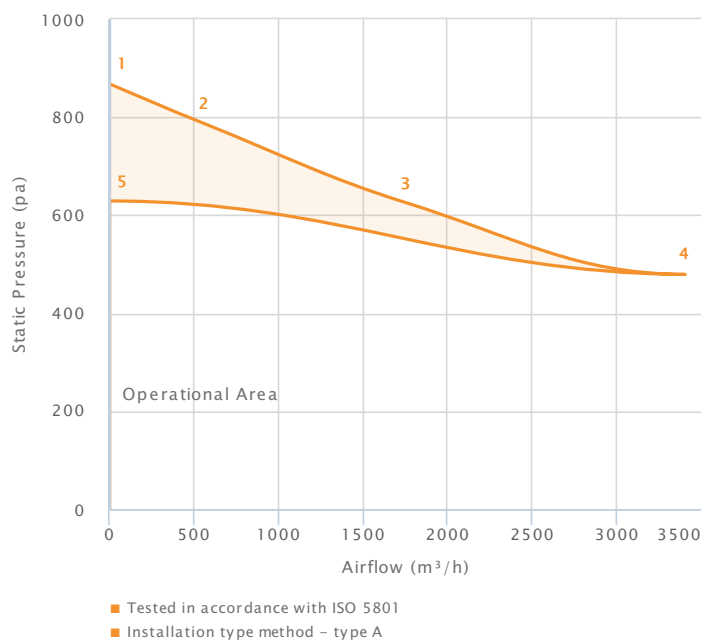
High Efficiency EC Direct Drive Fans (High-Pressure) ECDDC-HP 321-321 (12/12)

Technical Data

Supply (V/Ph/Hz)	230 / 1 / 50
Max Airflow (m³/h)	3996
Max Current (A)	5.03
Max Input Power (W)	1157
Max Speed (rpm)	1362
ErP Efficiency Rating (FMEG)	56
Ip Rating	20
Motor Insulation Class	F
Temperature Range (°C)	-20 to +40
Weight (KG)	25.5

Performance Data

Data Point	Static Pressure (pa)	Airflow (m³/h)	Current (A)	Speed (rpm)	Power (W)
1	868	0.00	2.40	1355	547
2	787	559	2.41	1354	553
3	625	1756	3.38	1317	731
4	479	3401	4.46	1193	1008
5	629	0.01	1.55	1100	400



Dimensions

A	495	G	425
B	232	H	390
C	524	I	364
D	293	J	397
E	212	K	18
F	451	L	633