

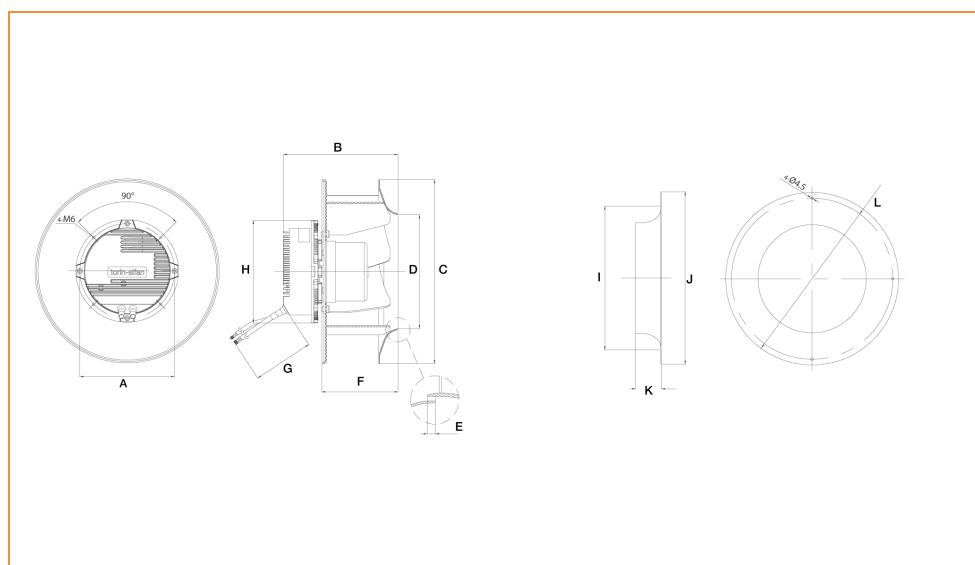
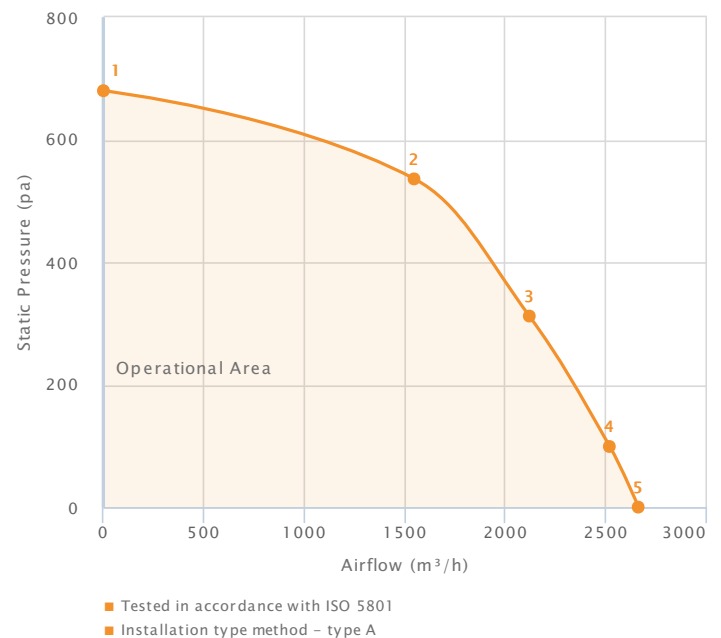
Revolution 360 - High Efficiency EC Backward Curved Plug Fans 310mm - 530W

Technical Data

Supply (V/Ph/Hz)	230 / 1 / 50/60
Max Airflow (m³/h)	2660
Max Current (A)	3.50
Max Input Power (W)	530
Max Speed (rpm)	2500
ErP Efficiency Rating (FMEG)	62
Ip Rating	54
Motor Insulation Class	B
Temperature Range (°C)	-25 to +60
Weight (KG)	6.3

Performance Data

Data Point	Static Pressure (pa)	Airflow (m³/h)	Current (A)	Speed (rpm)	Power (W)
1	680	0	1.31	2505	209
2	536	1546	2.85	2496	484
3	312	2117	2.54	2495	427
4	99	2517	2.43	2499	409
5	0	2660	2.23	2500	370



Dimensions

A	164	G	480
B	198.4	H	178
C	319	I	250
D	197.4	J	300
E	3	K	45
F	132	L	280