

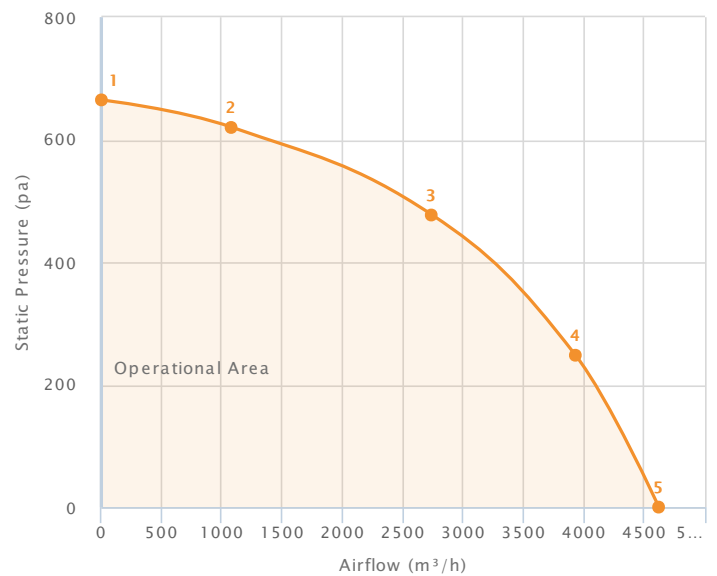
Revolution 360 - High Efficiency EC Backward Curved Plug Fans 360mm - 800W

Technical Data

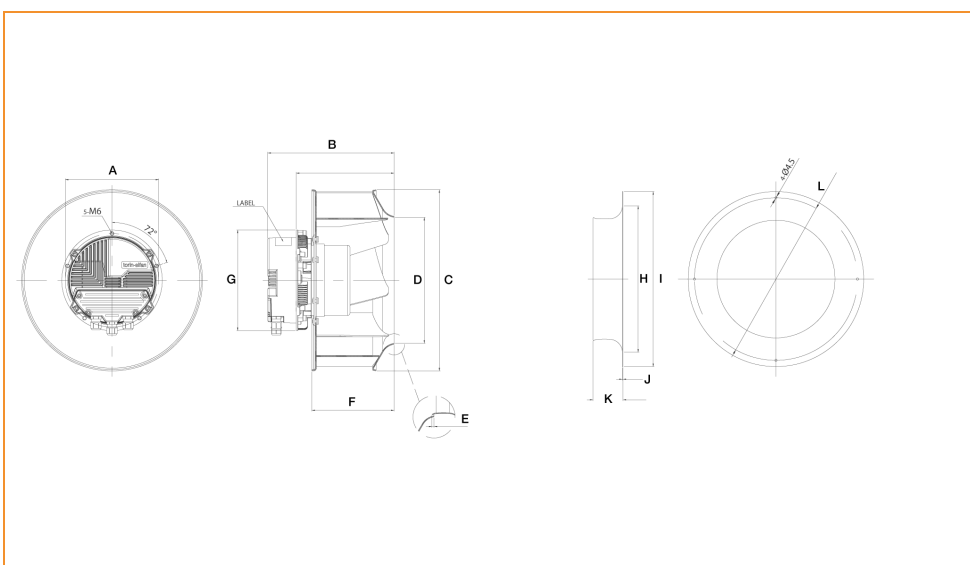
Supply (V/Ph/Hz)	230 / 1 / 50/60
Max Airflow (m³/h)	4618
Max Current (A)	4.0
Max Input Power (W)	800
Max Speed (rpm)	2030
ErP Efficiency Rating (FMEG)	68
Ip Rating	54
Motor Insulation Class	B
Temperature Range (°C)	-25 to +60
Weight (KG)	10.5

Performance Data

Data Point	Static Pressure (pa)	Airflow (m³/h)	Current (A)	Speed (rpm)	Power (W)
1	665	0	1.44	2026	327
2	620	1086	2.42	2019	553
3	477	2741	3.25	2000	738
4	248	3928	3.15	2027	712
5	0	4618	2.46	2020	558



■ Tested in accordance with ISO 5801
■ Installation type method - type A



Dimensions

A	186	G	200
B	251.2	H	292.5
C	360	I	350
D	250.3	J	1.5
E	4	K	59.4
F	163.7	L	325