

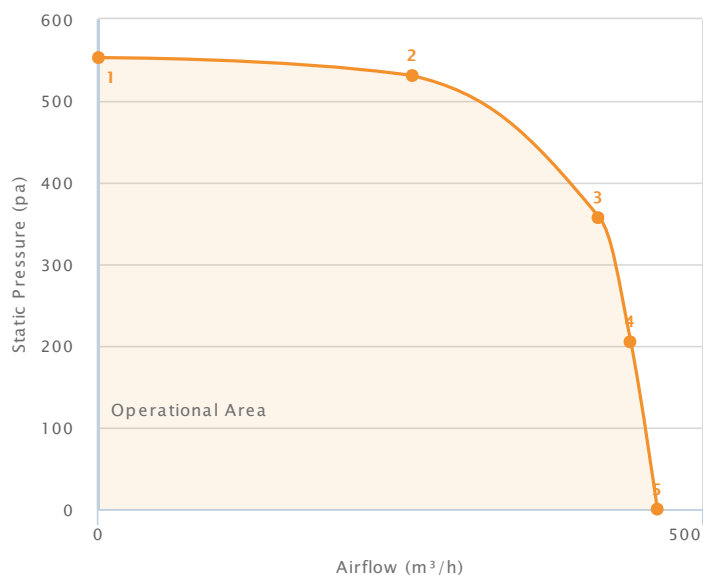
## Revolution 360 - High Efficiency EC Forward Curved EC Forward Curved - 146mm (170w) - In scroll housing

### Technical Data

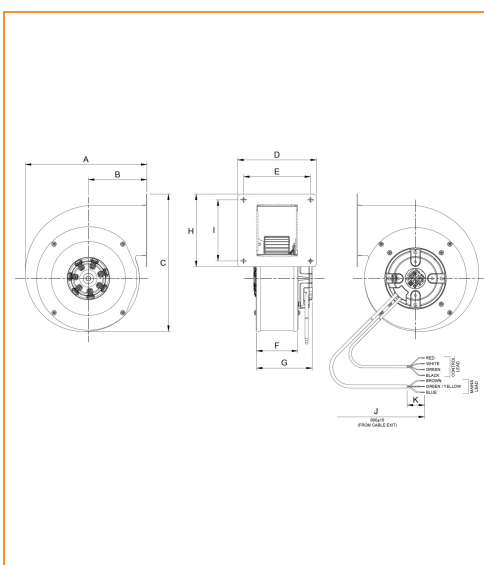
Supply (V/Ph/Hz)	198 to 264 / 1 / 50/60
Max Airflow (m³/h)	463
Max Current (A)	1.63
Max Input Power (W)	186
Max Speed (rpm)	3000
ErP Efficiency Rating (FMEG)	53
Ip Rating	54
Motor Insulation Class	B
Temperature Range (°C)	-20 to +60
Weight (KG)	2.40kg

### Performance Data

Data Point	Static Pressure (pa)	Airflow (m³/h)	Current (A)	Speed (rpm)	Power (W)
1	553	0	0.43	3000	46
2	531	260	1.00	3002	109
3	357	415	1.52	3000	171
4	205	441	1.63	2948	186
5	0	463	1.63	2724	185



■ Tested in accordance with ISO 5801  
■ Installation type method - type A



### Dimensions

A	208.7	G	95.7
B	100.4	H	125.0
C	236.1	I	105.0
D	135.0	J	600.0
E	115.0	K	30.0
F	70.6	L	