

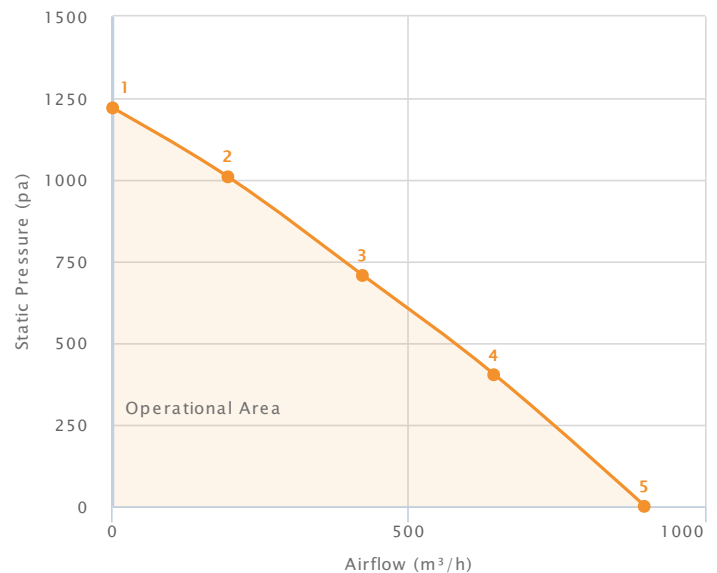
Revolution 360 - High Efficiency EC Backward Curved EC Backward Curved - 190mm (170w) - In cassette frame

Technical Data

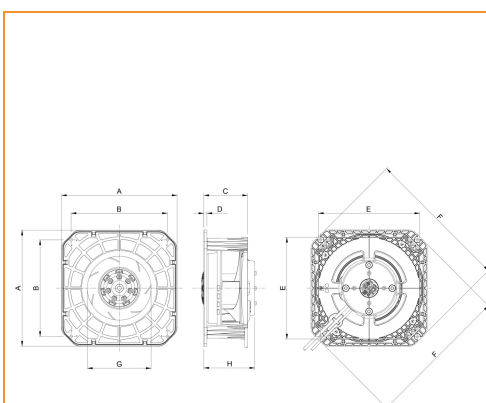
Supply (V/Ph/Hz)	198 to 264 V / 1 / 50/60
Max Airflow (m ³ /h)	899
Max Current (A)	1.57
Max Input Power (W)	181
Max Speed (rpm)	4900
ErP Efficiency Rating (FMEG)	70
Ip Rating	54
Motor Insulation Class	B
Temperature Range (°C)	-20 to +60
Weight (KG)	1.91

Performance Data

Data Point	Static Pressure (pa)	Airflow (m ³ /h)	Current (A)	Speed (rpm)	Power (W)
1	1220	0	1.22	4901	142
2	1009	195	1.55	4674	181
3	707	423	1.56	4295	180
4	403	645	1.56	4249	181
5	0	899	1.57	4694	181



■ Tested in accordance with ISO 5801
■ Installation type method - type A



Dimensions

A	226.0	G	124.5
B	188.1	H	99.0
C	85.0	I	
D	6.0	J	
E	197.0	K	
F	279.6	L	

