

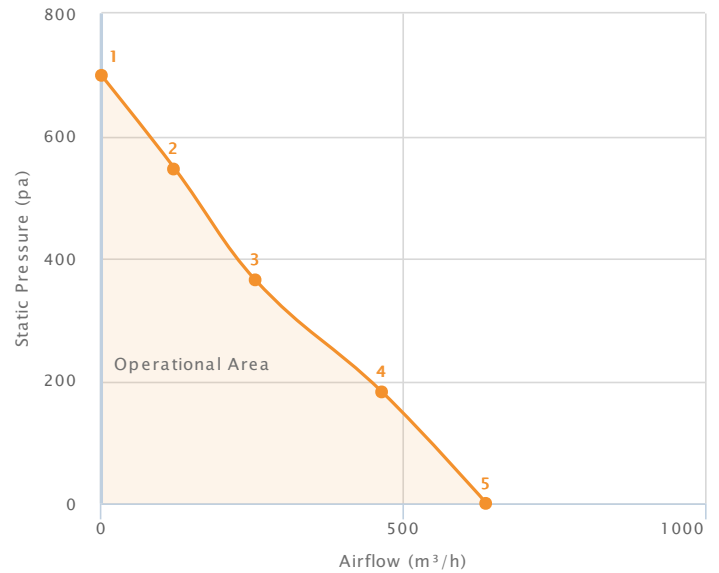
## Revolution 360 - High Efficiency EC Backward Curved EC Backward Curved - 190mm high flow (90w) - In cassette frame

### Technical Data

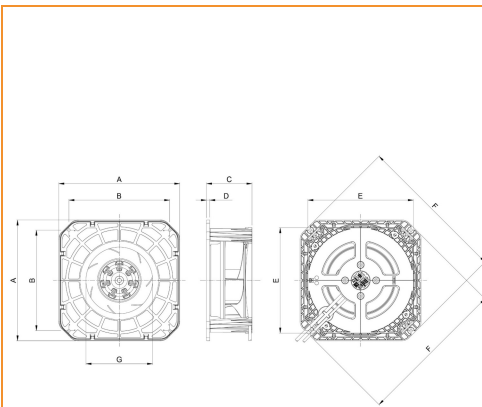
Supply (V/Ph/Hz)	198 to 264v //
Max Airflow (m³/h)	638
Max Current (A)	0.63
Max Input Power (W)	75
Max Speed (rpm)	3750
ErP Efficiency Rating (FMEG)	67
Ip Rating	54
Motor Insulation Class	B
Temperature Range (°C)	-20 to +60
Weight (KG)	1.4

### Performance Data

Data Point	Static Pressure (pa)	Airflow (m³/h)	Current (A)	Speed (rpm)	Power (W)
1	699	0	0.56	3752	66
2	546	122	0.60	3431	72
3	365	255	0.62	3073	74
4	182	465	0.63	3068	74
5	0	638	0.61	3351	72



- Tested in accordance with ISO 5801
- Installation type method - type A



### Dimensions

A	226	G	124.5
B	188	H	
C	85	I	
D	6	J	
E	197	K	
F	280	L	

**General Enquiries**  
+44 (0) 1793 524 291

**Tech Support**  
+44 (0) 1793 524 291

**Sales Support**  
+44 (0) 1793 640 554

[www.torin-sifan.com](http://www.torin-sifan.com)

**torin-sifan**  
The Partner of Choice